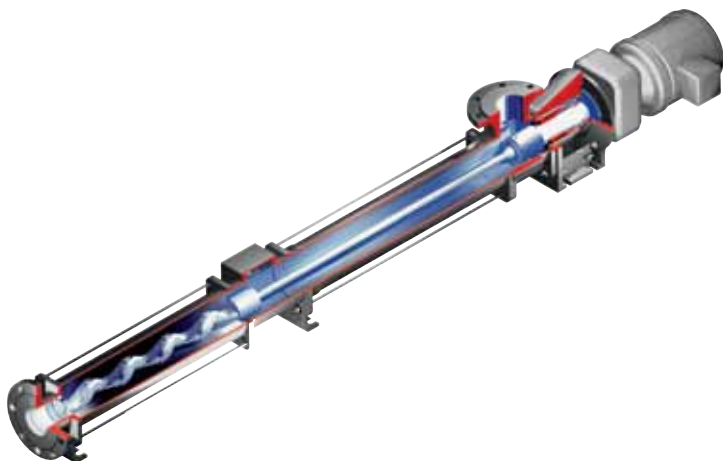




# Flygt Epsilon Range

**“A range of technically engineered progressing cavity pumps, designed to give least whole life costs and reduced spares requirements.”**



### **Features & Benefits**

Capacity up to 420 m<sup>3</sup>/h  
Pressure up to 24 bar  
Temperature -10°C up to 110°C

Typical applications include:

- Primary and secondary sludges
- Hydrated lime slurry
- Dewatered sludge cake

### **Materials of construction**

Available in cast iron or stainless steel, with a choice of rotor and stator materials to suit individual applications e.g. hard chrome plated rotor or natural rubber stator.

### **High pressure / long haul pumping**

Can offer considerable project cost savings by utilising small bore pipework and eliminating the need for a series of pumps, when pumping over long distances or with high head requirements.

### **Low running speeds**

Reduced wear for a longer working pump life which extends the periods between routine maintenance. Think of the savings you could make on abrasive applications.

### **Versatile**

Can be installed vertically or horizontally to suit the application. Can be run in either direction.

### **Robust drives**

Specially selected fixed and variable speed drives for longer life, due to flange mounted drive.

### **Drive shaft connection**

The Flexishaft® eliminates wearing components between the drive end and the pumping element. No lubrication is needed, therefore product contamination is eliminated. A shorter Flexishaft is available where space saving is a priority.

### **Baseplate**

Low cost, form folded baseplate.

### **Bloc construction**

Minimises overall dimensions, giving you a shorter pump length. Eliminates the need for coupling and guard.

### **Interchangeable components**

A large number of Flygt components are interchangeable with the Flygt Compact C Range, reducing inventory holding.

### **Inspection cover**

Available for applications where rag content is a problem.

### **Gentle pumping action**

Minimises shear and crush damage to the pumped product and maintains a steady flow when pumping products with a high solids content.

### **Duracoat coating**

Rotors can be supplied with Flygt's range of specialist coatings to help extend the life of the rotors by increasing wear and corrosion resistance.

### **Up to 8.5m suction lift**

Deep sumps can be easily emptied without the use of submersible equipment.

### **Plug in shaft**

Ease of maintenance when assembling or dismantling, with extraction facility.

### **Shaft sealing options**

Single seal supplied as standard, packed gland or double mechanical seals are available.

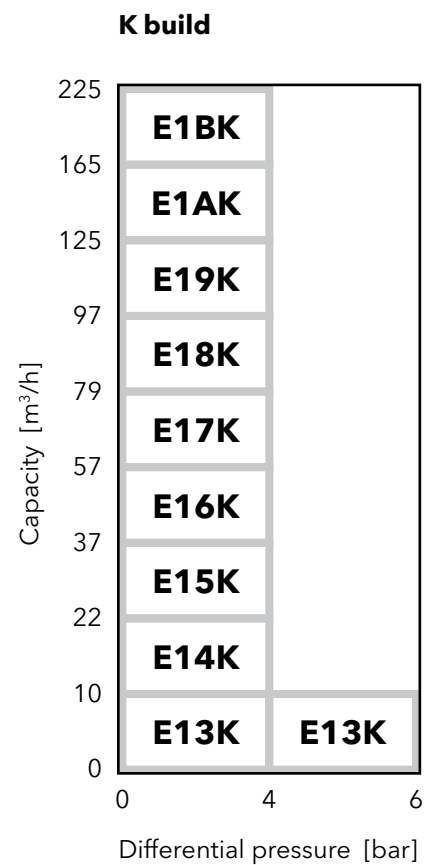
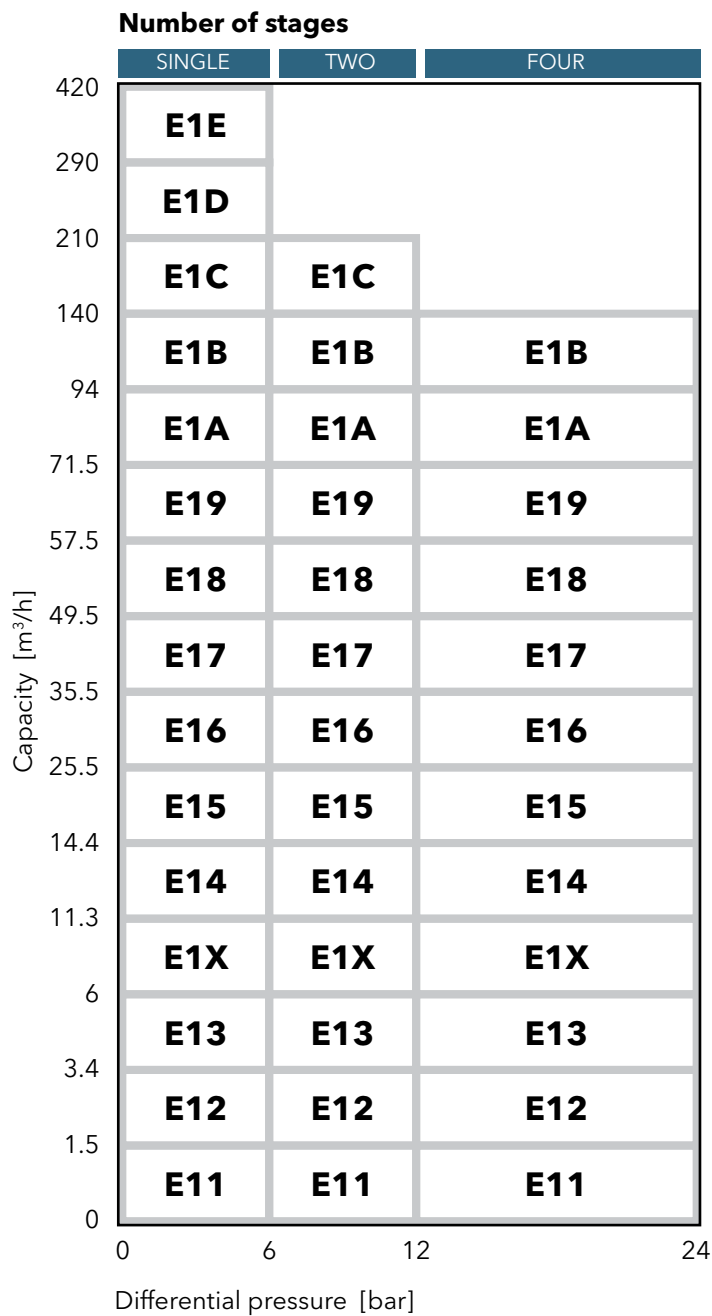
### **Handles gas entrainment**

No air or gas locking in the pump. The positive seal formed by the interference fit between rotor and stator enables the pump to self prime and it also allows tri-phase liquids i.e. solids, gases and liquids to be handled easily.

# Performance data



Transfer of raw sewage from a domestic installation



E1BB models and above, and various 4 stage options are bareshaft and not available on a form folded baseplate.

For guidance in selecting a Flygt Epsilon pump or the dimensions for 4 stage and large models, please contact Xylem.

# Product dimensions

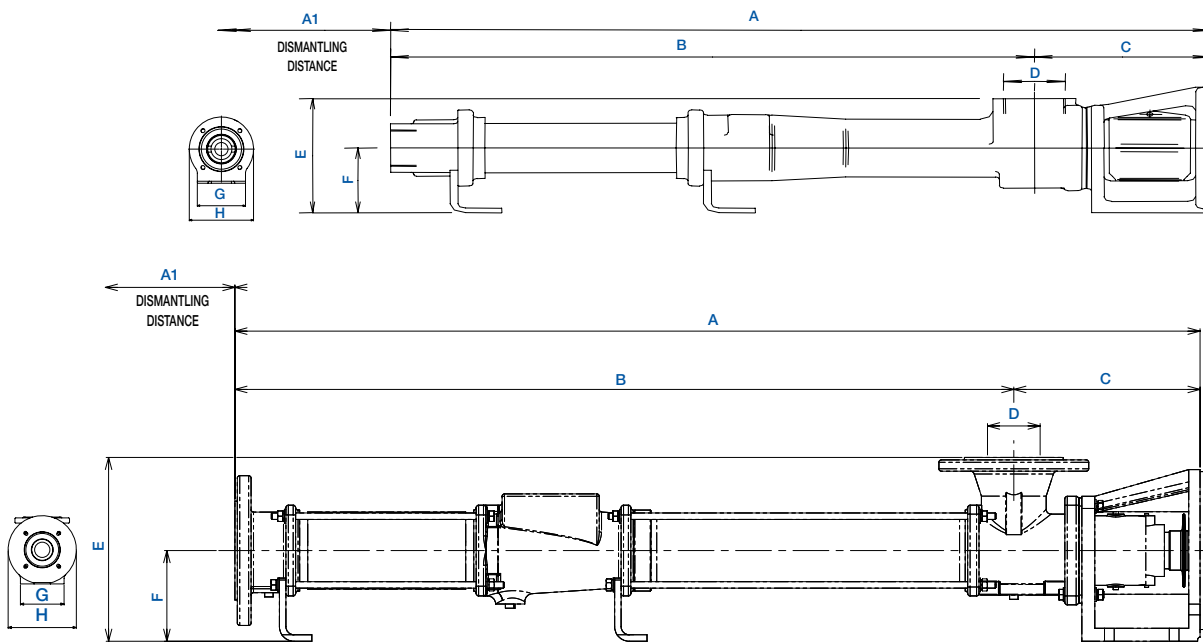
## Small standard flexishaft models

MODEL	A	A1	B	C	D	E	F	G	H
E11B	577	105	444	133	11/4"	146	85	120	160
E11D	721	115	588	133	11/4"	146	85	120	160
E12A	577	105	444	133	11/4"	146	85	120	160
E12B	721	115	588	133	11/4"	146	85	120	160
E12D	1081	115	944	137	11/2"	150	85	120	160
E13K	787	105	650	137	11/2"	150	85	120	160
E13A	642	105	505	137	11/2"	150	85	120	160
E13B	787	115	650	137	11/2"	150	85 <td 120	160	
E1XA	726	135	569	157	50	190	85	120	160



Sludge pumping

All dimensions in mm's, unless otherwise stated and for guidance only. Dimension A1 is the preferred dismantling space. For full certified drawings, please contact Xylem.



## Standard flexishaft models

MODEL	A	A1	B	C	D	E	F	G	H
E14A	1190	250	960	230	65	227	112	140	200
E14B	1507	455	1277	230	65	227	112	140	200
E14K	1395	455	1165	230	65	227	112	140	200
E15A	1363	310	1143	220	80	232	112	140	200
E15B	1823	570	1546	277	80	245	125	160	250
E15K	1623	570	1403	220	80	232	112	140	200
E16A	1625	365	1389	236	100	255	125	160	250
E16B	2179	680	1860	319	100	280	150	180	300
E16K	1937	680	1701	236	100	255	125	160	250
E17A	1934	430	1654	280	125	310	150	180	300
E17B	2389	800	2109	280	125	310	150	180	300
E17K	2302	800	2022	280	125	310	150	180	300
E18A	2064	475	1784	281	125	310	150	180	300
E18B	2745	880	2377	368	125	320	160	200	300
E18K	2472	880	2192	280	125	310	150	180	300
E19A	2395	530	2080	315	150	345	160	200	300
E19B	2857	990	2542	315	150	345	160	200	300
E19K	2857	990	2542	315	150	345	160	200	300
E1AA	2628	610	2313	315	150	345	160	200	300
E1AB	3330	1100	2927	403	150	410	225	280	350
E1AK	3159	1100	2844	315	150	345	160	200	300
E1BA	3048	640	2620	428	200	450	225	280	350
E1BK	3602	1210	3174	428	200	450	225	280	350

## Short flexishaft models

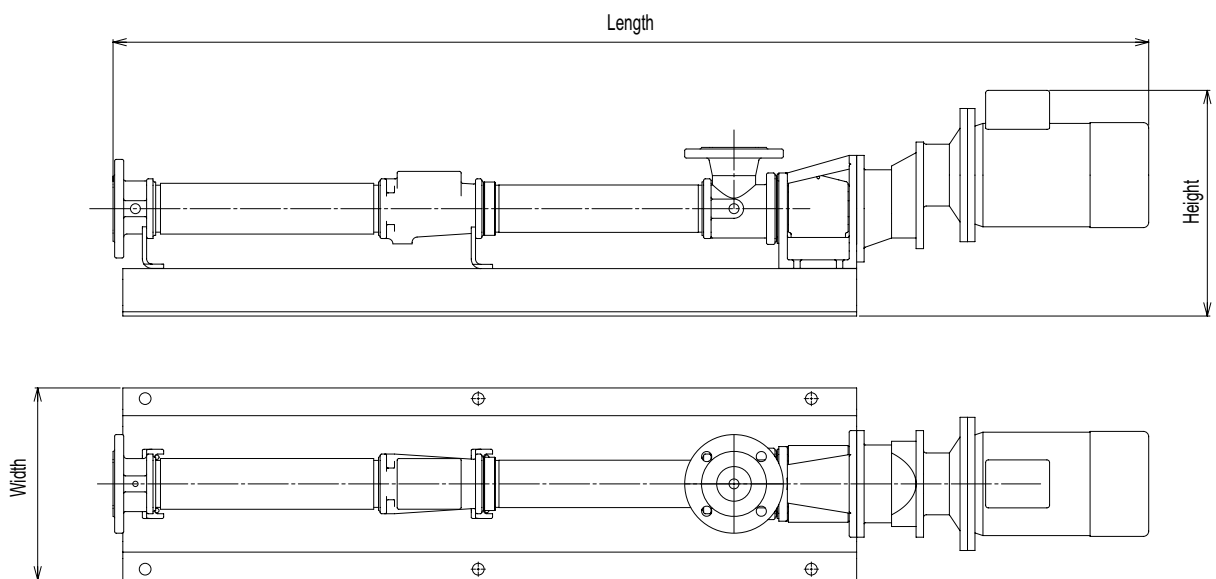
MODEL	A	A1	B	C	D	E	F	G	H
E14A	978	250	748	230	65	227	112	140	200
E14B	1294	455	1064	230	65	227	112	140	200
E14K	1183	455	953	230	65	227	112	140	200
E15A	1150	310	930	220	80	232	112	140	200
E15B	1594	570	1317	277	80	245	125	160	250
E15K	1410	570	1190	220	80	232	112	140	200
E16A	1396	365	1160	236	100	255	125	160	250
E16B	1859	680	1540	319	100	280	150	180	300
E16K	1708	680	1472	236	100	255	125	160	250
E17A	1614	430	1334	280	125	310	150	180	300
E17B	2074	800	1794	280	125	310	150	180	300
E17K	1982	800	1702	280	125	310	150	180	300
E18A	1749	475	1469	281	125	310	150	180	300
E18B	2358	880	1991	367	125	320	160	200	300
E18K	2157	880	1877	280	125	310	150	180	300
E19A	2008	530	1693	315	150	345	160	200	300
E19B	2470	990	2155	315	150	345	160	200	300
E19K	2470	990	2155	315	150	345	160	200	300
E1AA	2234	610	1919	315	150	345	160	200	300
E1AB	2989	1100	2586	403	150	410	225	280	350
E1AK	2765	1100	2450	315	150	345	160	200	300
E1BA	2660	640	2232	428	200	450	225	280	350
E1BK	3261	1210	2833	428	200	450	225	280	350

# Motor/baseplate dimensions

## Small flexishaft models

MODEL	LENGTH	WIDTH	HEIGHT
E11B	1132	300	304
E11D	1297	300	304
E12A	1132	300	304
E12B	1297	300	304
E12D	1666	300	304
E13K	1356	300	304
E13A	1206	300	304
E13B	1356	300	304
E1XA	1280	300	304

All dimensions in mm's and refer to the largest selected drive.  
Dimensions are for guidance only, for full certified drawings, please contact Xylem.



## Standard flexishaft models

MODEL	LENGTH	WIDTH	HEIGHT
E14A	1867	360	475
E14B	2188	420	475
E14K	2076	360	475
E15A	2040	360	475
E15B	2500	420	488
E15K	2300	420	475
E16A	2302	420	488
E16B	3167	520	609
E16K	2614	420	488
E17A	2893	420	584
E17B	3378	520	609
E17K	3291	520	609
E18A	3022	520	584
E18B	3788	520	649
E18K	3460	520	609
E19A	3443	520	649
E19B	3905	520	649
E19K	3905	520	649
E1AA	3676	625	649
E1AB	4378	520	727
E1AK	4207	520	649
E1BA	4101	520	727
E1BK	4653	520	727

## Short flexishaft models

MODEL	LENGTH	WIDTH	HEIGHT
E14A	1655	360	475
E14B	1975	420	475
E14K	1864	360	475
E15A	1827	360	475
E15B	2271	420	488
E15K	2087	420	475
E16A	2073	420	488
E16B	2847	520	609
E16K	2385	420	488
E17A	2573	420	584
E17B	3063	520	609
E17K	2931	520	609
E18A	3707	520	584
E18B	3401	520	649
E18K	3145	520	609
E19A	3056	520	649
E19B	3518	520	649
E19K	3518	520	649
E1AA	3282	625	649
E1AB	4037	520	727
E1AK	3813	520	649
E1BA	3713	520	727
E1BK	4312	520	727

# Here's how we complete the picture

## **Flygt monitoring and control improves the uptime of your wastewater treatment plant leading to lower operational costs.**

We supply both the hardware and the software for complete process systems - ranging from SCADA, process and pump controllers to pump drives, start equipment and sensors through to system software. With smart monitoring and control, you benefit from predictive maintenance. Our system automatically alerts you at an early stage when service is required, and signaling when corrective actions are necessary. This effectively eliminates unnecessary emergency service calls and cuts both operating and maintenance costs.

And Flygt Monitoring & Control is easy to use. Settings can be changed quickly by simply adjusting the values on the display on the controller, on the central system or even on a laptop from wherever a user happens to be.



## Your worldwide service network



Because no two pumping stations or systems are alike, Xylem lets you choose the type of support package that best matches your needs. At one end, we help in selecting the right pump for a new application. At the other end, we can provide full service assistance that includes everything from system planning and design, through construction and commissioning, to operation and maintenance.

### **Extensive spare parts guarantee**

With a worldwide network of authorized service centers, you always get the support you need: whether it's a question of planned maintenance or express part delivery.

We also guarantee the availability of spare parts 20 years after we stop production of a pump model. This is just one of the ways we demonstrate our long-term commitment to our customers.

# Xylem ['zīləm]

- 1) The tissue in plants that brings water upward from the roots
- 2) A leading global water technology company

We're 12,000 people unified in a common purpose: creating innovative solutions to meet our world's water needs. Developing new technologies that will improve the way water is used, conserved, and re-used in the future is central to our work. We move, treat, analyze, and return water to the environment, and we help people use water efficiently, in their homes, buildings, factories and farms. In more than 150 countries, we have strong, long-standing relationships with customers who know us for our powerful combination of leading product brands and applications expertise, backed by a legacy of innovation.

For more information on how Xylem can help you, go to [xylem.com](http://xylem.com).



Flygt is a brand of Xylem. For the latest version of this document and more information about Flygt products visit [www.flygt.com](http://www.flygt.com)