



Flygt Hydrovar®

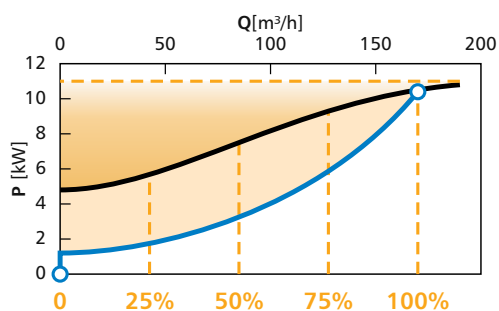
NEW GENERATION WITH IMPROVED MULTIPUMP CAPACITY

Enhanced multipump capability

We've taken pumping to a new level of efficiency, too, with energy savings up to 70%.

Here's what the industry has been waiting for - the next generation Flygt Hydrovar that offers even greater flexibility. Up to 8 Hydrovar pumps can be connected to one system in a multi-controller mode.

The software structure has been enhanced, too. The illuminated display permits easy handling and programming, even in difficult situations.

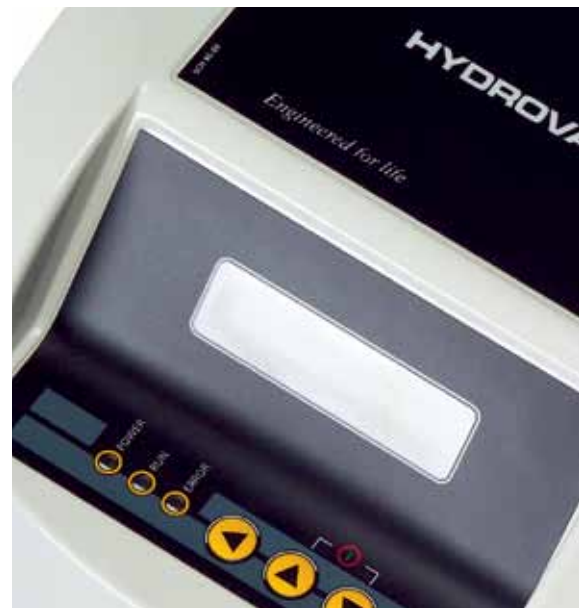


So much more

The new generation Flygt Hydrovar concept means you only pay for what you really need. It's easy to integrate into a BMS system, and Modbus communication is standard.

Hydrovar supports various types of sensors because of an enhanced input signal range (4-20mA, 0-20mA, 0-10Vdc). There are two sensor inputs for implementing two actual value signals within one system-min/max, difference. Or for a second sensor for safety reasons.

Available Hydrovar versions include Single and Master.

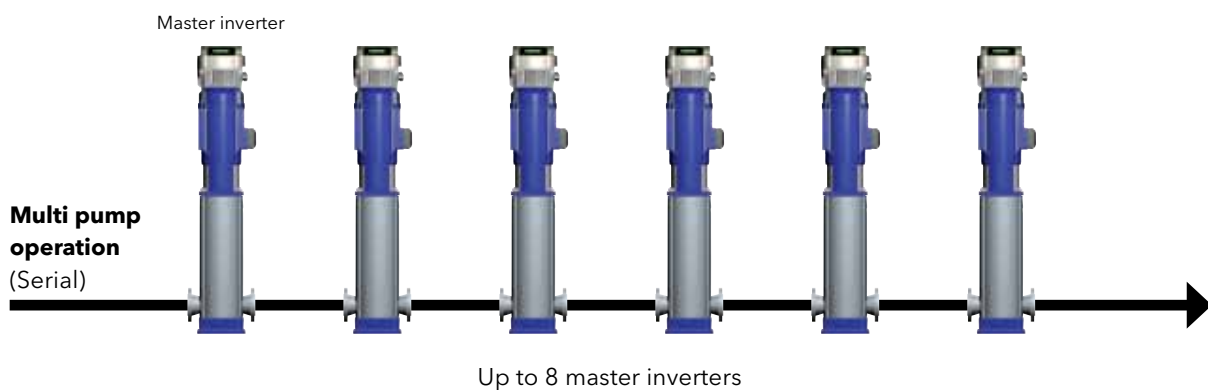
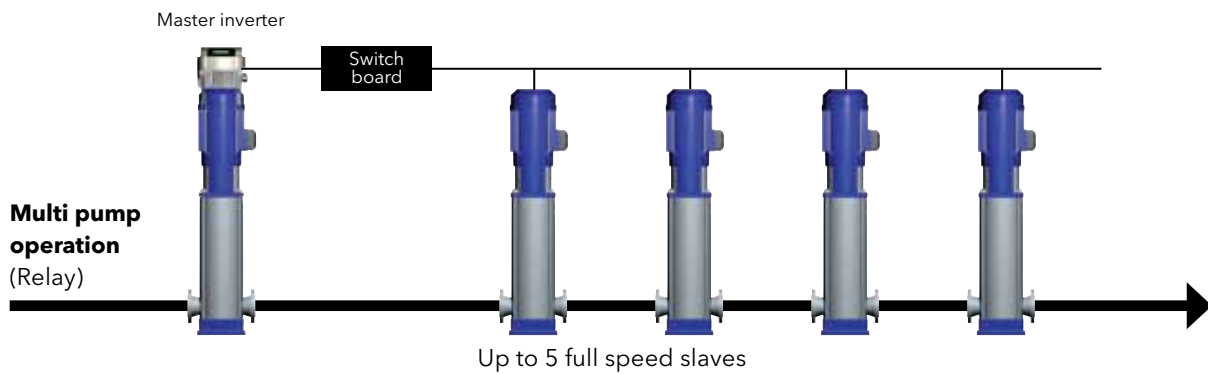
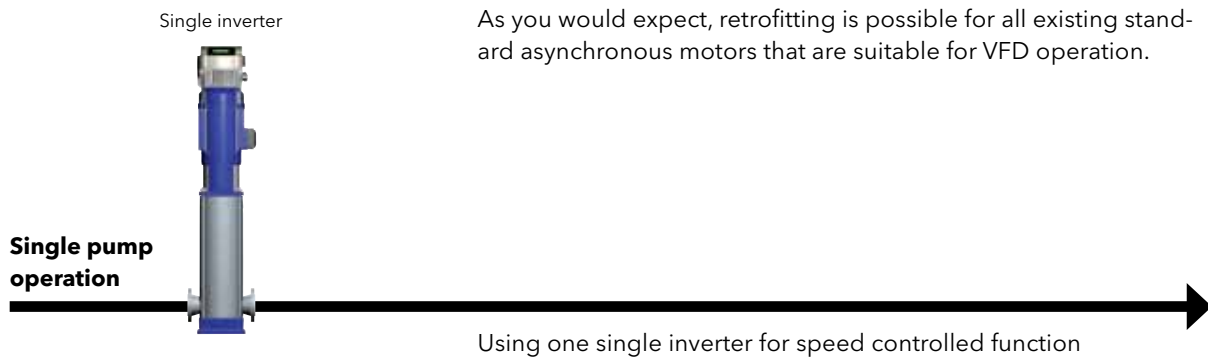


And even more...

Only one Flygt Hydrovar Master unit is needed for controlling up to 5 fixed speed pumps in the cascade relay mode. While as many as 8 Master Hydrovar pumps can be connected to a single system.

The extended manual control mode has different fixed speed values that are changeable with an external contact. Hydrovar features programmable output signals, too-analogue out/digital out.

As you would expect, retrofitting is possible for all existing standard asynchronous motors that are suitable for VFD operation.



Additional features

The mounting method of the Hydrovar unit means simple, fast and inexpensive retrofitting of existing pumps.

Flygt Hydrovar performance is automatically adjusted to varying demands. All hydraulic control functions are included, which means additional external controllers are not required.

The motor fan optimizes cooling, depending on the power and speed of the pump itself. And, of course, maintenance intervals are longer because of less stress to the pump and motor.

Retrofitting is possible on all existing standard asynchronous motors, which are suitable for VFD operation.

Automatic adjustment of the pump performance to varying demands.

Constant system pressure in water supply and booster stations. Possibility of control along the system curve for circulation pumps for the HVAC market.

No external panels, contactors and motor protection devices are required.



All hydraulic control functions are included in the Hydrovar®. Therefore no additional external controllers are required.

Optimised cooling of the Hydrovar®, depending on the power and the speed of the pump, is guaranteed by the motor fan.

Longer maintenance intervals because of less stress to the pump and the motor.

The brilliant mounting method of the Hydrovar® unit allows a very simple, fast and inexpensive retrofitting on existing pumps.

Energy-efficient

- new standard for the new generation





Significant energy savings of up to 70% are possible with the new generation Flygt Hydrovar. This is particularly the case when a centrifugal pump is running at partial loads.

For instance: By operating a closed loop HVAC system in accordance with system curve compensation, you are lowering the required pressure in the system. This reduces speed/power required from the pump and can result in energy savings of up to 70%.

Example: Circulation pump with nominal power in partial load operation.

Capacity in %	Power consumption as per curve		Saving in kW	Saving per 1/3 year (2.920 h)
	Pump at const. speed	Pump at variable speed		
25%	5,8 kW	1,8 kW	4,0 kW	11.680 kWh
50%	7,6 kW	3,2 kW	4,4 kW	12.848 kWh
75%	9,2 kW	5,7 kW	3,5 kW	10.220 kWh
Energy savings within 1 year (8.760 hours)				34.748 kWh

Compared with the installation costs for the Hydrovar units there will be a pay-back time of less than one year (depending of the energy costs).

Xylem ['zīləm]

- 1) The tissue in plants that brings water upward from the roots
- 2) A leading global water technology company

We're 12,000 people unified in a common purpose: creating innovative solutions to meet our world's water needs. Developing new technologies that will improve the way water is used, conserved, and re-used in the future is central to our work. We move, treat, analyze, and return water to the environment, and we help people use water efficiently, in their homes, buildings, factories and farms. In more than 150 countries, we have strong, long-standing relationships with customers who know us for our powerful combination of leading product brands and applications expertise, backed by a legacy of innovation.

For more information on how Xylem can help you, go to xylem.com.



Flygt is a brand of Xylem. For the latest version of this document and more information about Flygt products visit www.flygt.com