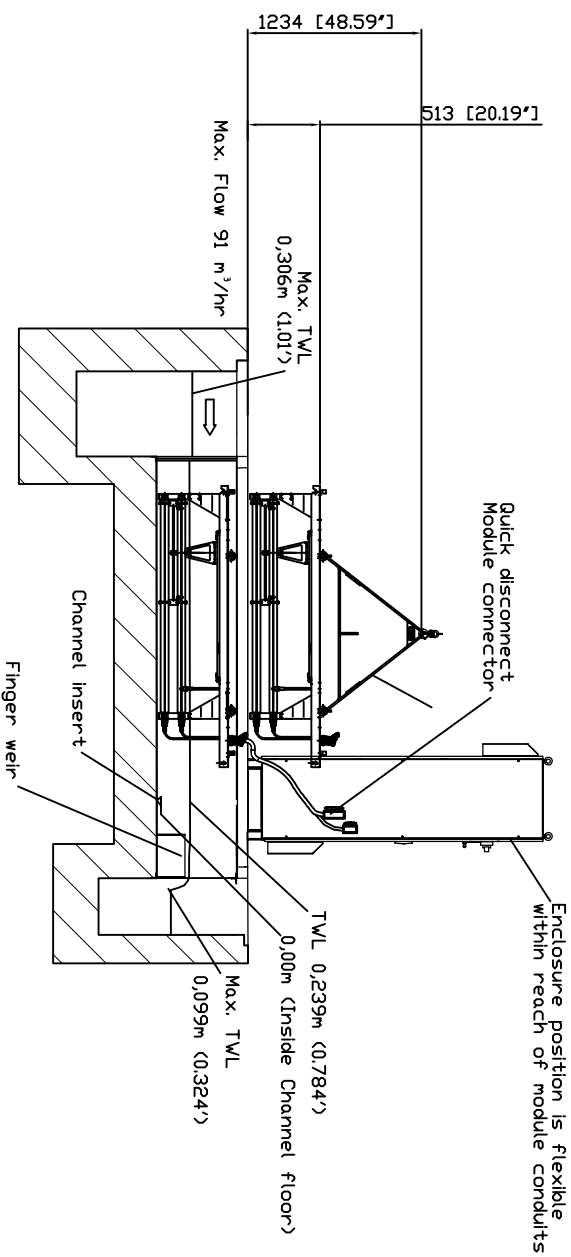
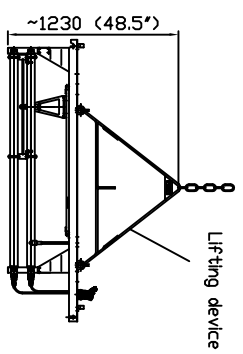


TAK SMART 2-1X1 PARTS LIST			
Item	Description	Drawing #	Notes
	Electrical cabinet (Standard)	TYPE 12 /IP54	Painted sheet steel
1	Electrical cabinet (Optional)	TYPE 4X /IP66 Fan cooled	stainless steel
2	Stainless steel channel	TYPE 4X /IP66 with AC	stainless steel
3	UV Module (Standard)	TAK SMART 2-1X1	ASTM304 (1430)
	with UV Sensor (Optional)	One per UV system	ASTM316 (1457)
	with Wiper system (Optional)	Replaces Std. module	ASTM316 (1457)
	with Wiper&Sensor (Optional)	Line per bank replaces Std.	ASTM316 (1457)
4	Compressor (Optional)	Replaces wiped module	ASTM316 (1457)
	For optional automatic wiper		
5	Crane (Optional)	For optional automatic wiper	Power coated Steel
6	Protective channel cover	By Others	Light tight recommended
7	Baffle plate	TAK 2-1	ASTM316 (1457)
8	Concrete floor	By Others	

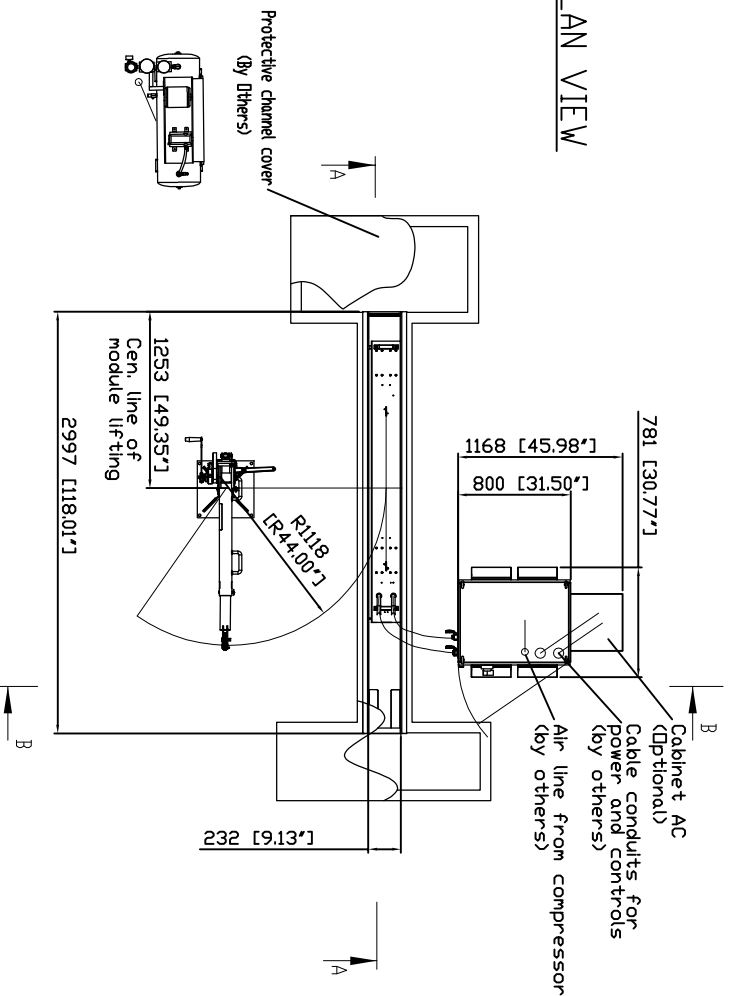
SECTION A-A



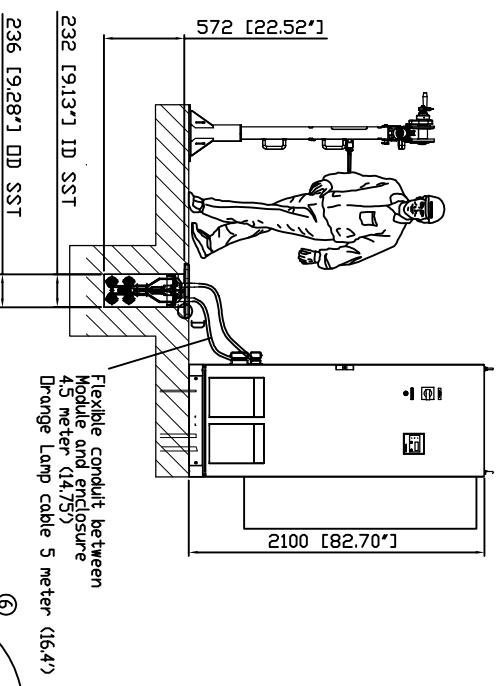
Module lifting Detail



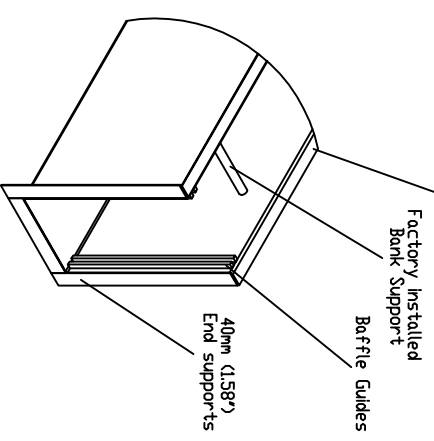
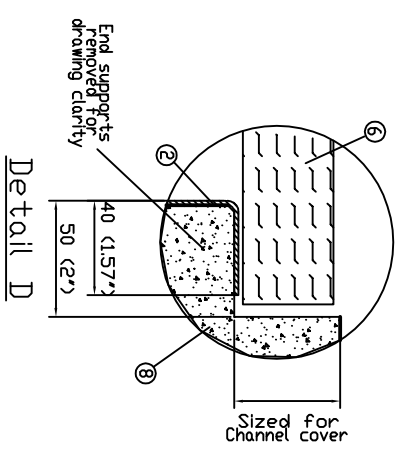
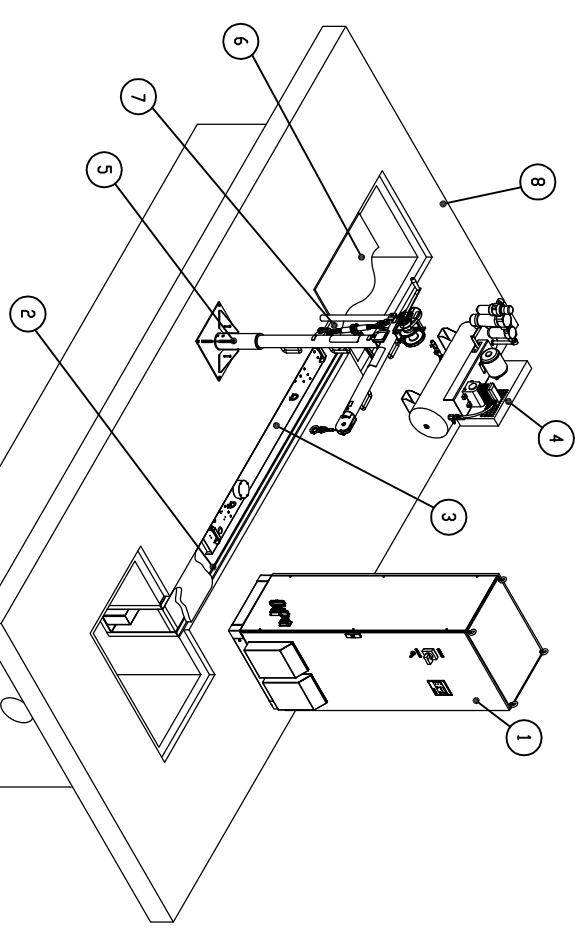
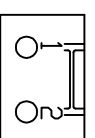
PLAN VIEW



SECTION B-B



LAMP LOCATION



TAK SMART GENERAL NOTES:

- The dimensions given on this drawing are required to ensure correct installation operation and performance of the WEI/ECO UV equipment. All modifications from this drawing must be approved by WEI/ECO.
- The most critical dimensions (channel width, module placement, and weir height) are controlled within the UV channel assembly. Installing contractor must ensure channel assembly is level ($\pm 5\text{mm}$ (3/16") across entire length and width).
- All site related design, labor and materials to be provided by others per contract documents. To meet general anchor bolt requirement, concrete installation and quality shall meet or exceed ACI 318 / DIN1045 -B35.
- All civil tolerances are $\pm 1/4"$ (6 mm) unless otherwise shown.
- Type 12/IP54 (fan cooled) Electrical enclosure to be located in a climate controlled building (supplied by others). Ambient temp. 5 to 40°C (41 to 104°F). Type 4X /IP66 enclosure fan cooled. Ambient temp -20 to 40°C (-4 to 104°F). Type 4X /IP66 enclosure with AC Ambient temp -20 to 50°C (-4 to 112°F).
- Before installation of the UV equipment, channel & piping must be clean of debris. Dejects like sand or stones may damage to UV lamps.
- All flow isolation is supplied by others if required.
- ALL field wiring and conduits required to connect power and compressor shall be sized, supplied, and installed by others. All governing Local/state and national electrical codes/regulations apply (for example but not limited to state, local, CE, NEC, CUL).
- Lifting device for individual module (Optional). One per bank required.
- All equipment shall be located in accordance with all state local, and national electrical codes and per dimensions shown on General Arrangement drawing.
- Protect your eyes and skin against UV light. Extended exposure causes sun burn and eye irritation.
- Field assembly of channel required. All supporting materials, gaskets, hardware, labor and design are supplied by others. Cast in place stainless steel channel insert sections includes factory installed bank supports, baffle guides, and finger weir. All concrete to stainless steel joints must be sealed water tight by installing contractor. Total assembly must be level ($\pm 5\text{mm}$ (3/16") across entire length and width.
- Installing contractor must provide Temporary bracing inside the channel inserts to prevent deformation as concrete cures.
- The inlet and outlet areas and all piping designed and sized by others. At maximum design flow a 100mm (4") free space must be maintained between the top of the weir and the top effluent level in the outlet chamber.

NOT FOR CONSTRUCTION!

FOR DISCUSSION PURPOSES

DNL Y1

NOT FOR CONSTRUCTION!		GENERAL ARRANGEMENT DRAWING	
NO.	REVISION	DATE	BY
1	Issue for Discussion	2024-10-20	J-68109-2
2	Issue for Discussion	2024-10-20	J-68109-2