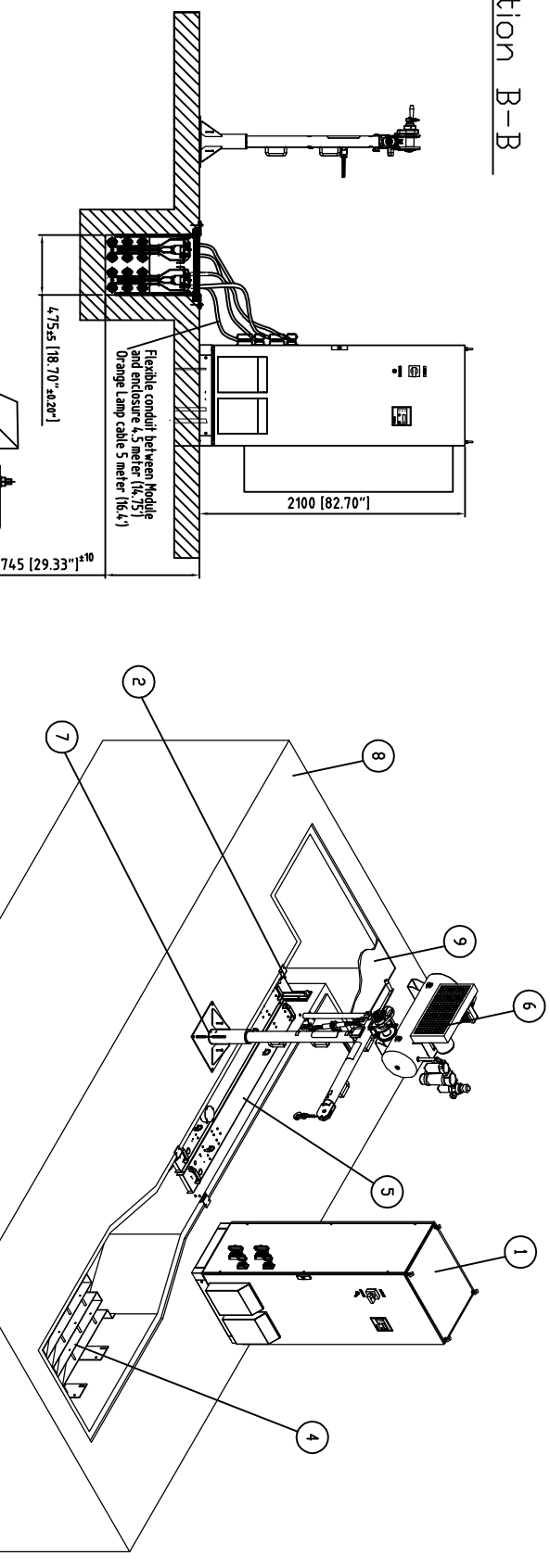
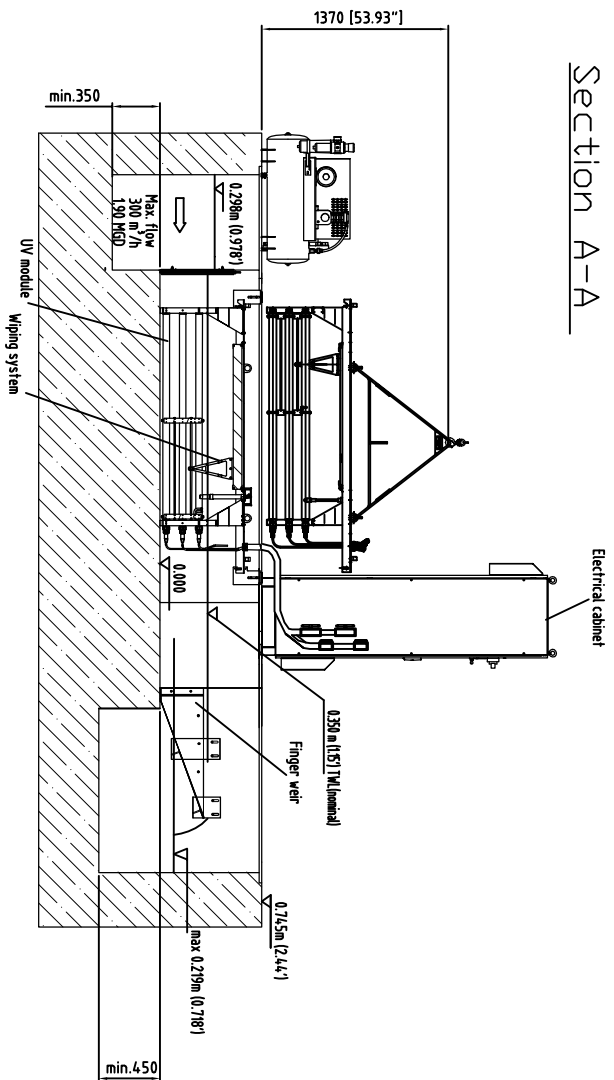


Item	Description	Drawing #	Notes	Material
1	Electrical cabinet (Standard)		TYPE 12 /P54	Painted sheet steel
2	Electrical cabinet (Optional)		TYPE 4X /P54 fan cooled	stainless steel
3	Baffle plate kit	U21-0179-001	TAK 3-2	ASTM304 (1.4301)
4	Bank Support Kit	U-13688	TAK X-2	ASTM304 (1.4301)
			300m <sup>2</sup> /hr (130 MGD)	ASTM304 (1.4301)
5	UV Module (Standard)		Two per Bank	ASTM316 (1.4571)
			with UV Sensor (Optional)	ASTM316 (1.4571)
			with Wiper/Sensor (Optional)	ASTM316 (1.4571)
6	Compressor (Optional)		Replaces one Wipged Mod.	ASTM316 (1.4571)
			located under enclosure	
7	Crane (Optional)		For UV module lifting	Power coated Steel
8	Concrete Channel		By Others	
9	Channel cover		By Others	
10	Spacer			ASTM304 (1.4301)
10	Anchor bolts		By Others	ASTM304 (1.4301)

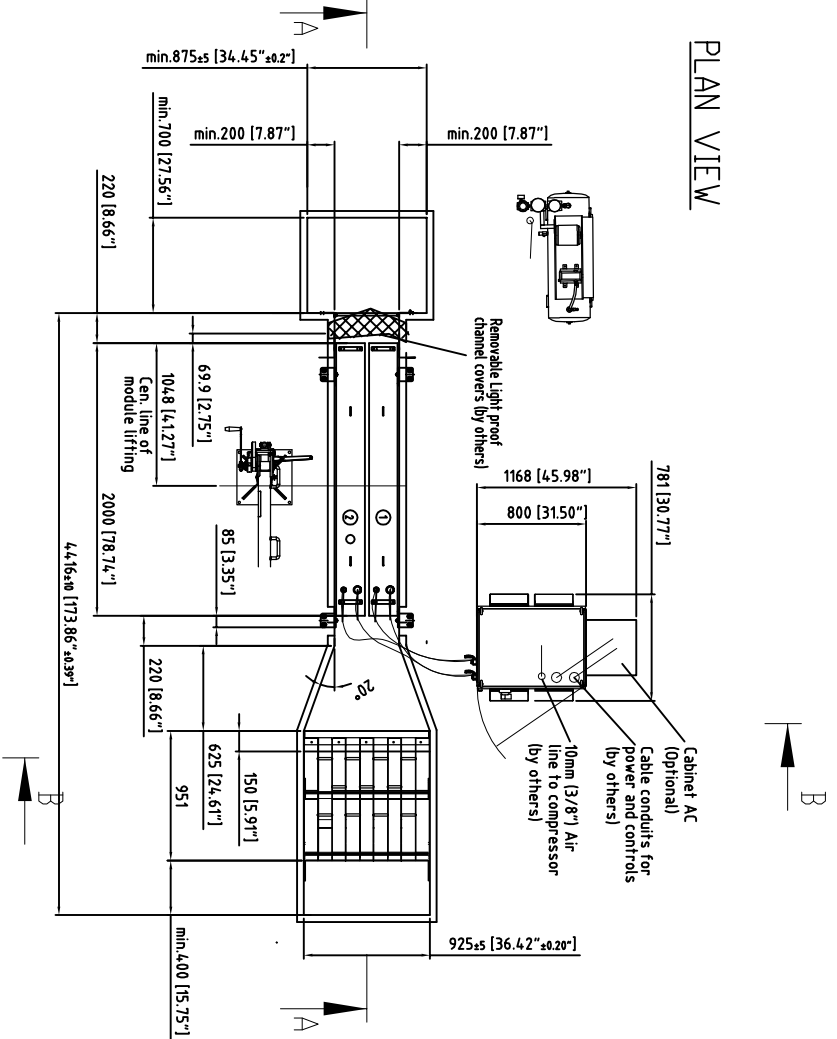
Section B-B



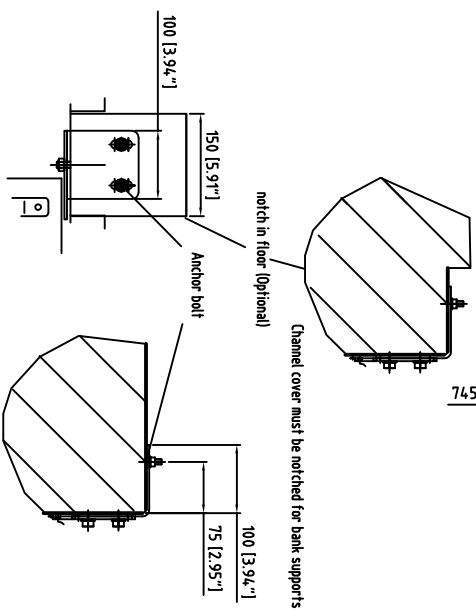
Section A-A



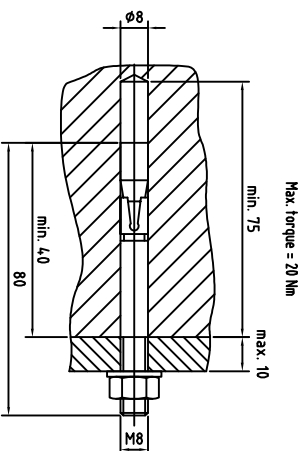
PLAN VIEW



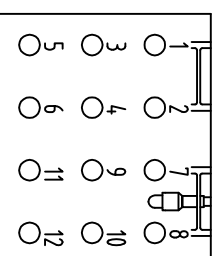
Bank Support Detail



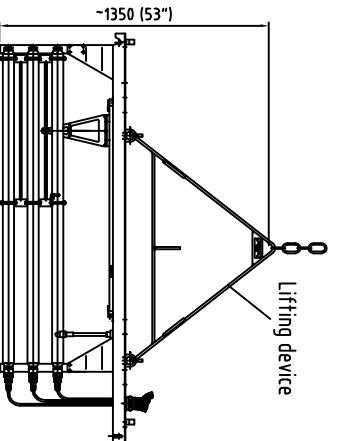
Example anchor bolt fixing:



LAMP LOCATION



Lifting device



Module lifting Detail

TAK SMART GENERAL NOTES:

- The dimensions given on this drawing are required to ensure correct installation operation and performance of the MEDCO UV equipment. All Modifications from this drawing must be approved by MEDCO.
- The most Critical dimensions are channel width, module placement, and weir height. Installing contractor must ensure channel is level ( $\pm 5\text{mm}$  (3/16") across entire length and width.
- All site related design, labor and materials to be provided by others per contract documents. To meet general anchor bolt requirement, concrete installation and quality shall meet or exceed ACI 318 / DIN1045 - 835.
- All civil tolerances are  $\pm 1/2"$  (6 mm) unless otherwise shown.
- Type 12/P54 (fan cooled) Electrical enclosure to be located in a climate controlled building (supplied by others). Ambient Temp. 5 to 40°C (41 to 104°F) Type 4X /P56 enclosure fan cooled. Ambient Temp. -20 to 40°C (-4 to 104°F) Type 4X /P66 enclosure with AC Ambient Temp. -20 to 50°C (-4 to 122°F)
- Before installation of the UV channel, must be level and clean. Debris and objects like sand, may cause damage to lamps.
- All flow isolation is supplied by others if required.
- ALL field wiring and conduits required to connect power and controls to the electrical enclosure and the air compressor shall be sized, supplied, and installed by others. All governing local/state and national electrical codes/regulations apply (for example but not limited to state, local, CE, NEC, ILL.).
- Lifting device for individual module (Optional). One per bank required.
- ALL equipment shall be located in accordance with all state, local, and national electrical codes and per dimensions shown on General Arrangement drawing.
- Instrument quality compressed air required for the wiping system (optional) 11PS (21 CFM) @ 4.5-5.5BAR (65-80 PSI) indoor and outdoor compressors (optional).
- Protect your eyes and skin against UV light: Extended exposure causes sun burn and eye irritation.
- Field assembly of channel required. All supporting materials, gaskets, hardware, labor and design are supplied by others.
- Installing contractor must provide Temporary bracing inside the channel inserts to prevent deformation as concrete cures.
- The inlet and outlet areas and all piping designed and sized by others. At maximum design flow a 10mm (3/8") free space must be maintained between the top of the weir and the top effluent level in the outlet chamber.

NOT FOR CONSTRUCTION!

FOR DISCUSSION PURPOSES ONLY!

NO.	REV.	DATE	DESCRIPTION
1			
2			
3			
4			
5			
6			
7			
8			
9			
10			
11			
12			
13			
14			
15			
16			
17			
18			
19			
20			

GENERAL ARRANGEMENT DRAWING

TAK SMART 3-2X1

U-81464-2