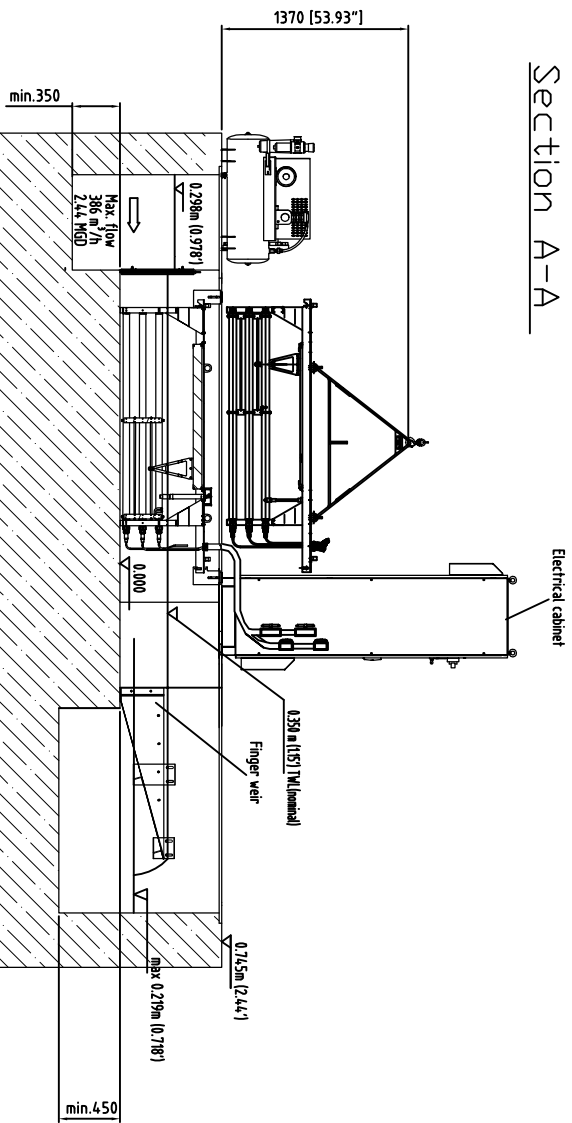
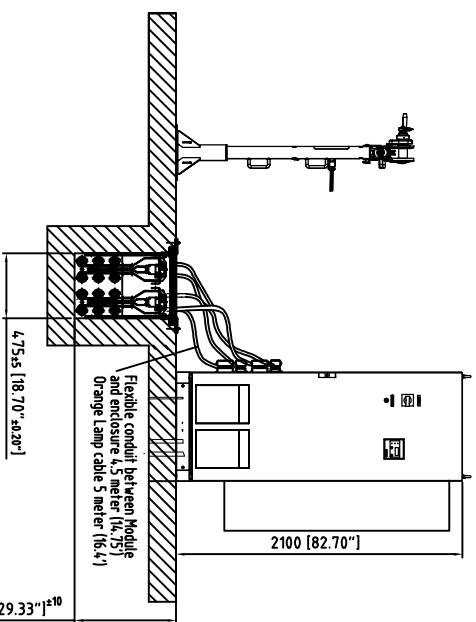


Item	Description	Drawing #	Notes	Material
1	Electrical cabinet (Standard)		TYPE 12 /P54	Painted sheet steel
2	Electrical cabinet (Optional)		TYPE 4X /P54 fan cooled	stainless steel
3	Baffle plate kit	U21-0179-001	TAK 3-2	ASTM304 (1.4301)
4	Bank Support kit	U-13688	TAK X-2	ASTM304 (1.4301)
5	Finger Weir		306m ² /m (2.44MGD)	ASTM316 (1.4571)
6	UV Module (Standard)		Two per Bank	ASTM316 (1.4571)
7	with UV Sensor (Optional)		Replaces one standard Mod.	ASTM316 (1.4571)
8	with Wiper & Sensor (Optional)		Two per Bank (replace Std)	ASTM316 (1.4571)
9	Compressor (Optional)		Replaces one Wiped Mod.	ASTM316 (1.4571)
10	Concrete Channel		Local under enclosure	Power coated Steel
11	Crane (Optional)		For UV module lifting	
12	Channel cover		By Others	
13	Spacer		By Others	ASTM304 (1.4301)
14	Anchor bolts		By Others	ASTM304 (1.4301)

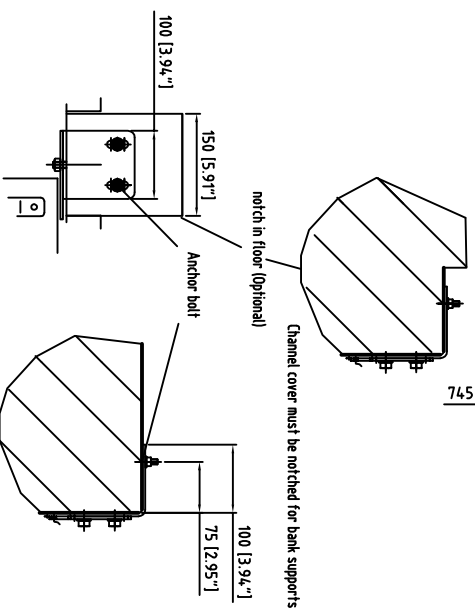
Section A-A



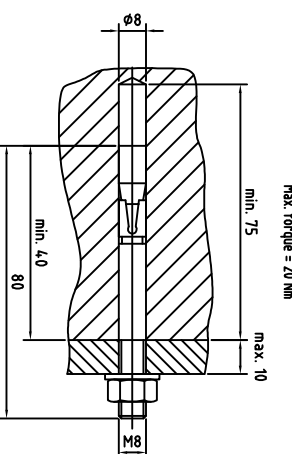
Section B-B



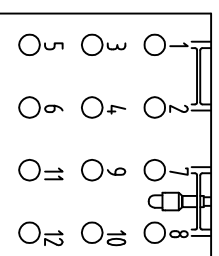
Bank Support Detail



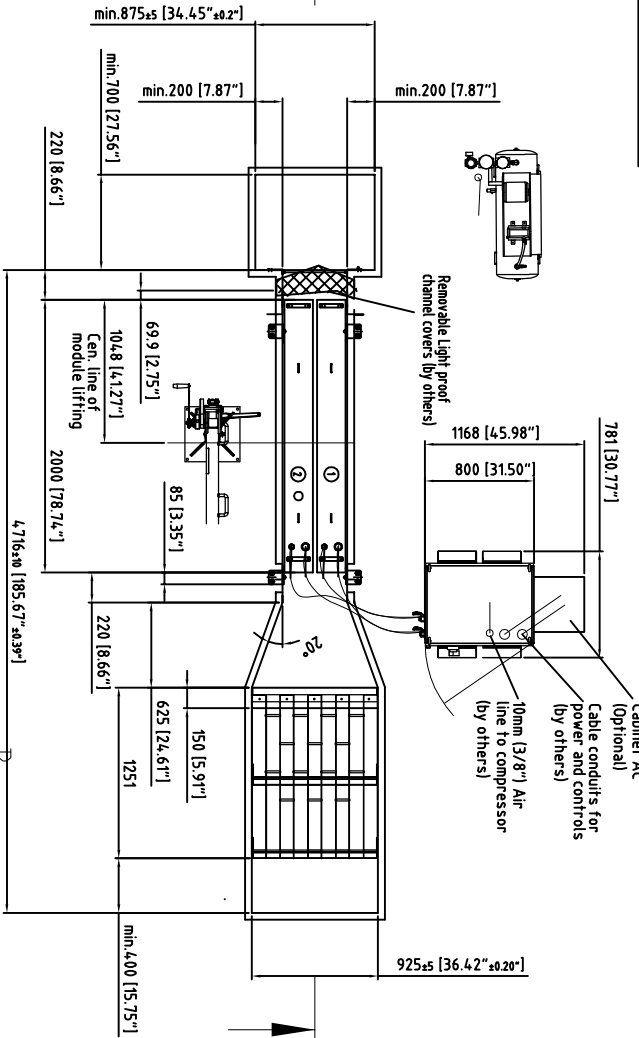
Example anchor bolt fixing:



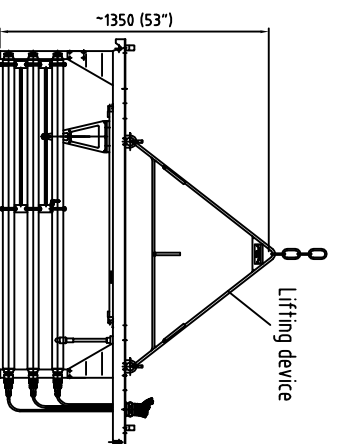
LAMP LOCATION



PLAN VIEW



Lifting device



TAK SMART GENERAL NOTES:

- The dimensions given on this drawing are required to ensure correct installation operation and performance of the WEDECO UV equipment. All Modifications from this drawing must be approved by WEDECO.
- The most critical dimensions are channel width, module placement, and weir height. Installing contractor must ensure channel is level ($\pm 5\text{mm}$ [3/16"] across entire length and width.
- All site related design, labor and materials to be provided by others per contract documents. To meet general anchor bolt requirement, concrete installation and quality shall meet or exceed ACI 318 / DIN1045 -835.
- All civil tolerances are $\pm 1/2$ " (6 mm) unless otherwise shown.
- Type 12/P54 (fan cooled) Electrical enclosure to be located in a climate controlled building (supplied by others). Ambient Temp. 5 to 40°C (41 to 104°F) Type 4X /P56 enclosure fan cooled. Ambient Temp. -20 to 40°C (-4 to 104°F) Type 4X /P56 enclosure with AC Ambient Temp. -20 to 50°C (-4 to 112°F)
- Before installation of the UV channel, must be level and clean. Debris and objects like sand may cause damage to lamps.
- All flow isolation is supplied by others if required.
- ALL field wiring and conduits required to connect power and controls to the electrical enclosure and the air compressor shall be sized, supplied, and installed by others. All governing local/state and national electrical codes/regulations apply (for example but not limited to state, local, CE, NEC, CUL).
- Lifting device for individual module (Optional). One per bank required.
- ALL equipment shall be located in accordance with all state, local, and national electrical codes and per dimensions shown on General Arrangement drawing.
- Instrument quality compressed air required for the wiping system (optional) 11PS (2.1 CFM) @ 4.5-5.5BAR (65-80 PSI) indoor and outdoor compressors (optional).
- Protect your eyes and skin against UV light. Extended exposure causes sun burn and eye irritation.
- Field assembly of channel required. All supporting materials, gaskets, hardware, labor and design are supplied by others.
- Installing contractor must provide Temporary bracing inside the channel inserts to prevent deformation as concrete cures.
- The inlet and outlet areas and all piping designed and sized by others. At maximum design flow a 10mm (3/8") free space must be maintained between the top of the weir and the top effluent level in the outlet chamber.

NOT FOR CONSTRUCTION!

FOR DISCUSSION PURPOSES

ONLY!

NO.	DATE	DESCRIPTION	BY	CHECKED
1	01/15/2021	ISSUED FOR DISCUSSION	U-58105-2	
2	01/15/2021	REVISION	U-58105-2	
3	01/15/2021	REVISION	U-58105-2	
4	01/15/2021	REVISION	U-58105-2	
5	01/15/2021	REVISION	U-58105-2	
6	01/15/2021	REVISION	U-58105-2	
7	01/15/2021	REVISION	U-58105-2	

GENERAL ARRANGEMENT DRAWING

TAK SMART 3-2X1 HE

U-58105-2