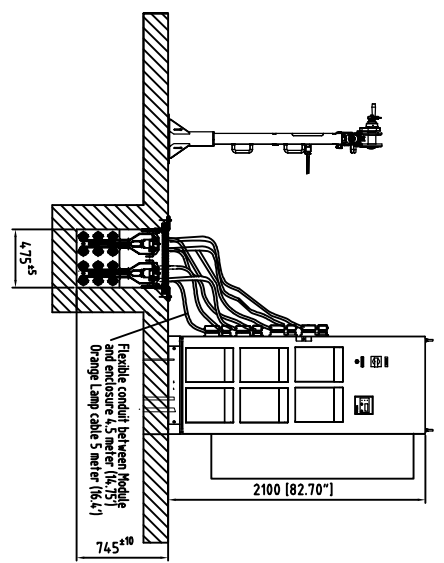
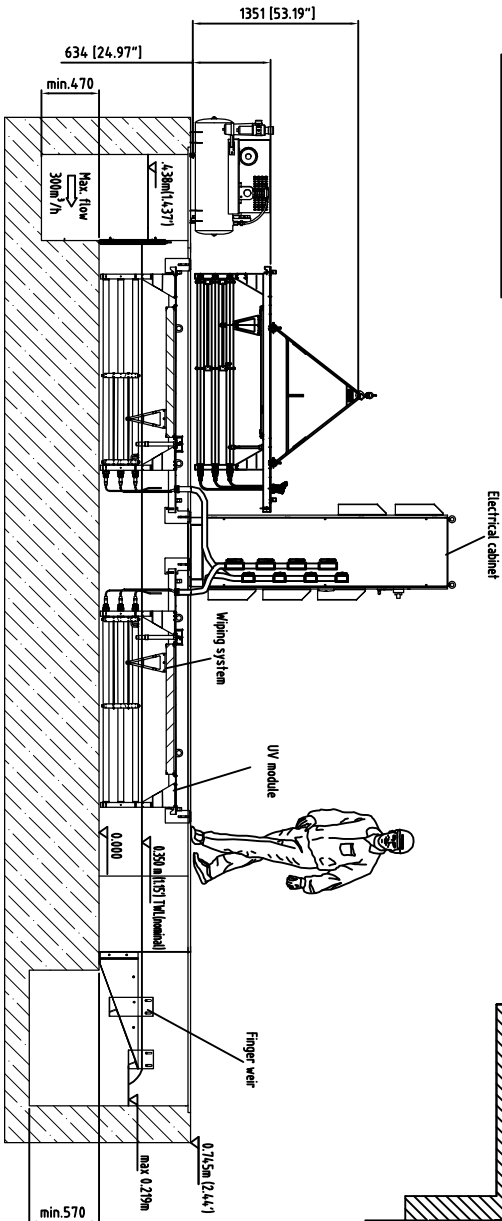


Item	Description	Drawing #	Notes	Material
A	Electrical cabinet (Standard)		TYPE Q /P54	Painted steel sheet
1	Electrical cabinet (Optional)		TYPE KX /P66 fan cooled	stainless steel
2	Finger Veil		TAK 3-2	ASTM A1520
3	UV Module (Standard)		Low per UV system	ASTM A1570
5	Frame (Optional)		optional locations	Power coated steel
6	Protective channel cover		By Others	Light light recommended
7	Baffle plate (Optional)		TAK 3-2	ASTM A1570
8	Concrete floor		By Others	
9	Air Compressor (Optional)		For Wiping system (Optional)	

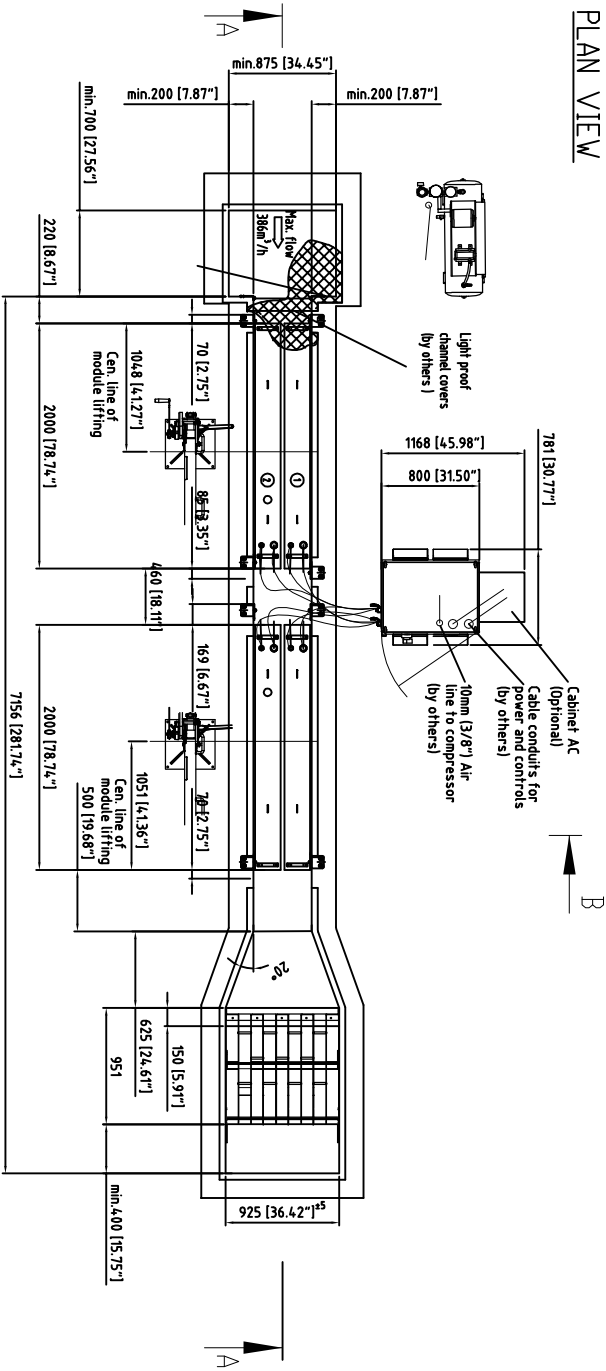
Section B-B



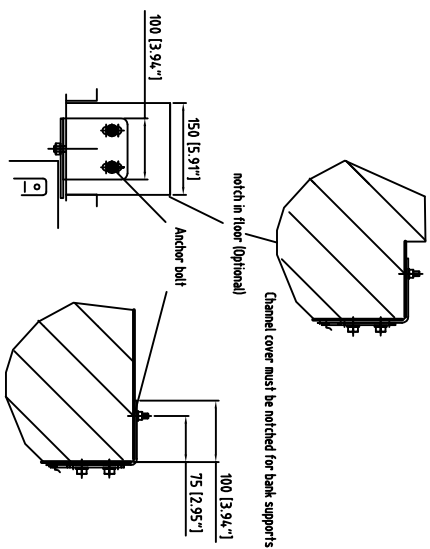
Section A-A



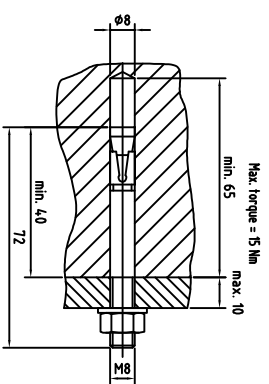
PLAN VIEW



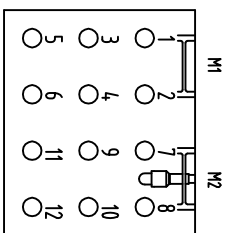
Bank Support Detail



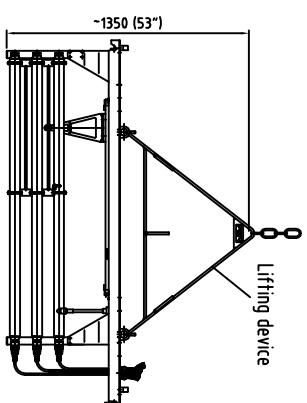
Example anchor bolt fixing:



LAMP LOCATION



Module lifting Detail



TAK SMART GENERAL NOTES:

- The dimensions given on this drawing are required to ensure correct installation operation and performance of the WEBCO UV equipment. All modifications from this drawing must be approved by WEBCO.
- The most critical dimensions are channel width, module placement, and veil height. Installing contractor must ensure channel is level (± 5mm [3/16"]) across entire length and width.
- All site related design, labor and materials to be provided by others per contract documents, to meet general anchor bolt requirements: concrete installation and quality shall meet or exceed ACI 308 / DN1945-5-25.
- All civil tolerances are ± 2" (51mm) unless otherwise shown.
- Type IZ/P54 (fan cooled) Electrical enclosure to be located in a climate controlled building (supplied by others). Ambient Temp: 5 to 40°C (41 to 104°F) Type KX /P66 enclosure fan cooled. Ambient Temp: -20 to 40°C (-4 to 104°F) Type KX /P66 enclosure with AC Ambient Temp: -20 to 50°C (-4 to 122°F)
- Before installation of the UV channel, must be level and clean. Debris and objects like sand may cause damage to lamps.
- All flow isolation is supplied by others if required.
- ALL field wiring and conduits required to connect power and controls to the electrical enclosure and the air compressor shall be sized, supplied, and installed by others. All governing local/state and national electrical codes/regulations apply (for example but not limited to state, local, CE, NEC, CUL, I).
- Lifting device for individual module (Optional). One per bank required.
- ALL equipment shall be located in accordance with all state, local, and national electrical codes and per dimensions shown on General Arrangement drawing.
- Instrument quality compressed air required for the wiping system (optional) 11PSI (21 CFM) @ 4.5-5.5BAR (65-80 PSIG) indoor and outdoor compressors (optional).
- Protect your eyes and skin against UV light. Extended exposure causes sun burn and eye irritation.
- Field assembly of channel required. All supporting materials, gaskets, hardware, labor and design are supplied by others.
- Installing contractor must provide temporary bracing inside the channel inserts to prevent deformation as concrete cures.
- The inlet and outlet areas and all piping designed and sized by others. At maximum design flow a 10mm (3/8") free space must be maintained between the top of the veil and the top effluent level in the outlet chamber.

NOT FOR CONSTRUCTION!

FOR DISCUSSION PURPOSES ONLY!

<p>FOR DISCUSSION PURPOSES ONLY!</p>	
<p>GENERAL ARRANGEMENT DRAWING</p>	<p>U-81456-2</p>