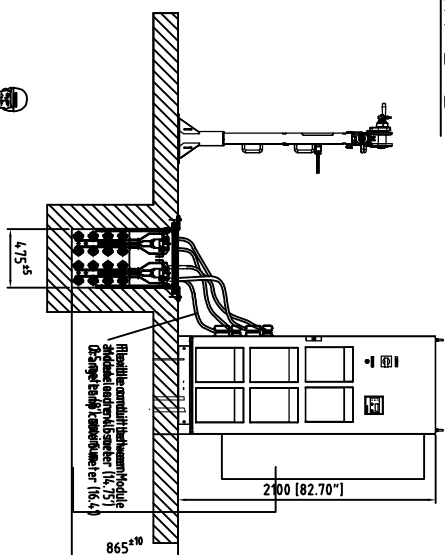
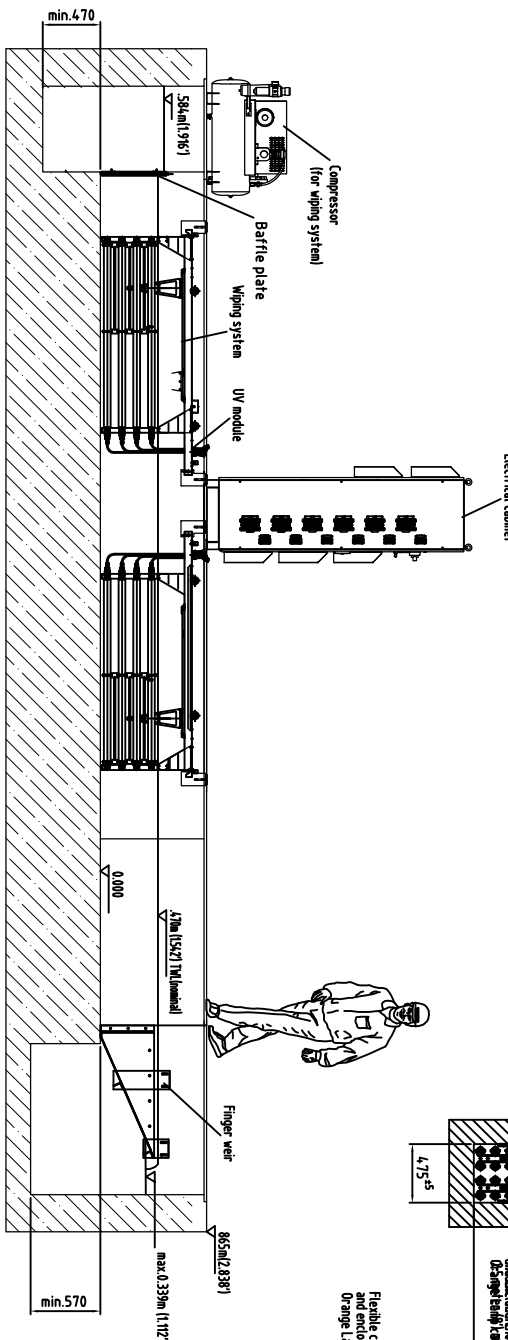


Item	Description	Drawing #	Makes	Material
	Electrical cabinet (Standard)		TYPE 2 /P/54	Painted sheet steel
1	Electrical cabinet (Optional)		TYPE 4X /P/64 Fan cooled	Stainless steel
2	Finger Vee		TYPE 4X /P/64 with AC	Stainless steel
3	UV Module (Standard)		TAK 4-2	ASTM A163/90
5	UV Module (Optional)		Two per UV system optional locations	ASTM A163/90
6	Protective channel cover		By Others	Power coated steel
7	Baffle plate (Optional)		TAK 4-2	Light light recommended ASTM A163/90
8	Concrete floor		By Others	ASTM A163/90
9	Air Compressor (Optional)		For Wiping system (Optional)	

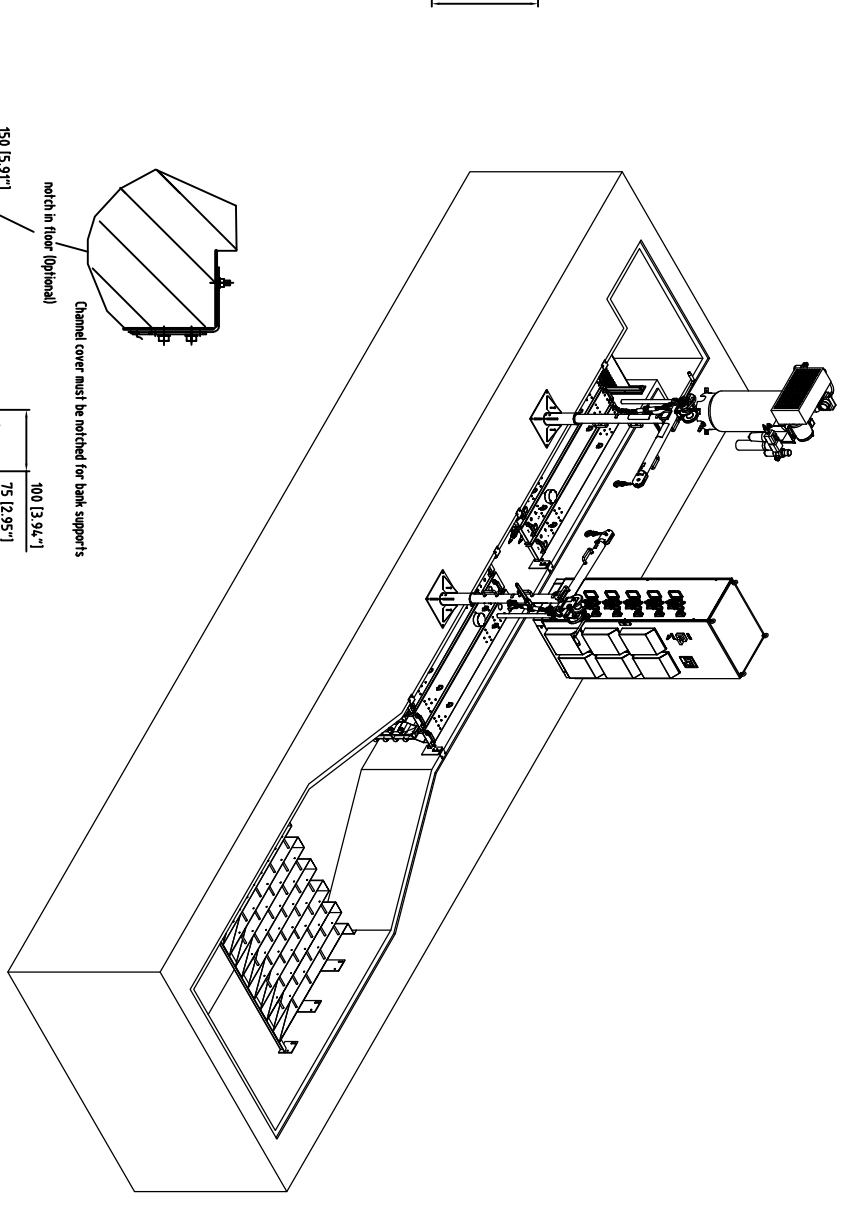
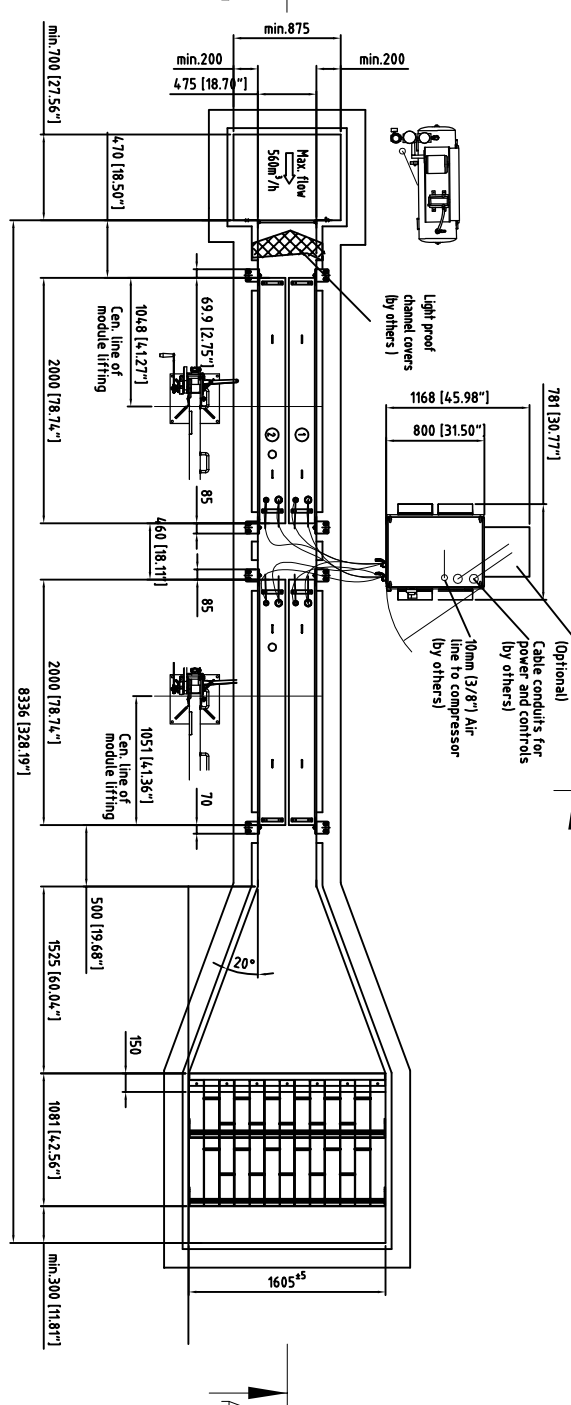
Section B-B



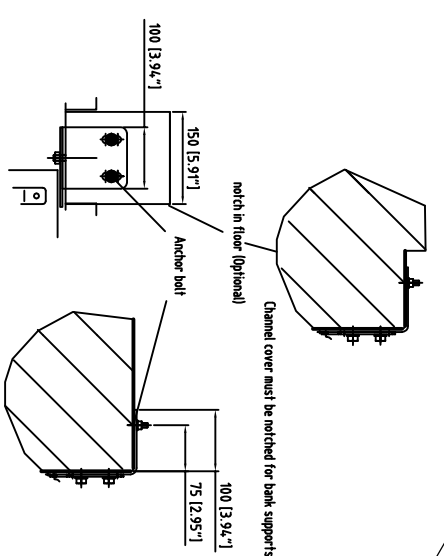
Section A-A



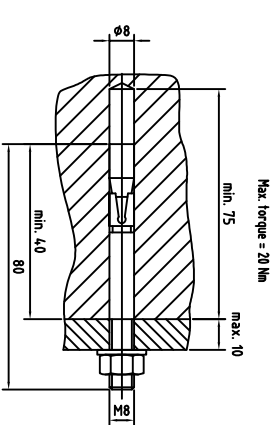
PLAN VIEW



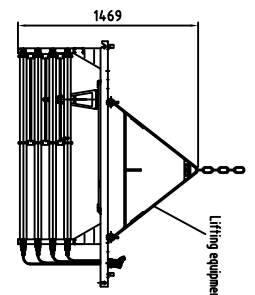
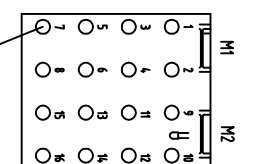
Bank Support Detail



Example anchor bolt fixing:



LAMP LOCATION



TAK SMART GENERAL NOTES:

- The dimensions given on this drawing are required to ensure correct installation of the UV system. All dimensions are in millimeters (mm) unless otherwise stated. This drawing must be approved by MBEEO.
- The most critical dimensions are channel width, module placement, and vee height. Installing contractor must ensure channel is level (± 5mm [3/16"]) across entire length and width.
- All site related design, labor and materials to be provided by others per contract documents. To meet general anchor bolt requirement, concrete installation and quality shall meet or exceed ACI 308 / DIN1045-555.
- All civil tolerances are ± 1" (6 mm) unless otherwise shown.
- Type 12/P/54 (fan cooled) Electrical enclosure to be located in a climate controlled building (supplied by others). Ambient Temp. 5 to 40°C (41 to 104°F) Type 4X /P/64 enclosure (fan cooled). Ambient Temp. -20 to 40°C (-4 to 104°F) Type 4X /P/66 enclosure with AC Ambient Temp. -20 to 50°C (-4 to 122°F)
- Before installation of the UV channel, must be level and clean. Debris and objects like sand may cause damage to lamps.
- All flow isolation is supplied by others if required.
- All flow isolation is supplied by others if required.
- All field wiring and conduits required to connect power and controls to the electrical enclosure and the air compressor shall be sized, supplied, and installed by others. All governing local/state and national electrical codes/regulations apply (for example but not limited to state, local, CE, NEC, CUL).
- Lifting device for individual module (Optional). One per bank required.
- All equipment shall be located in accordance with all state, local, and national electrical codes and per dimensions shown on General Arrangement drawing.
- Instrument quality compressed air required for the wiping system (optional) 1.PS1 (21 CFM) @ 4.5-5.5BAR (65-80 PSIG)
- Indoor and outdoor compressors (optional).
- Protect your eyes and skin against UV light. Extended exposure causes sun burn and eye irritation.
- Field assembly of channel required. All supporting materials, gaskets, hardware, labor and design are supplied by others.
- Installing contractor must provide Temporary bracing inside the channel inserts to prevent deformation as concrete cures.
- The inlet and outlet areas and all piping designed and sized by others. At maximum design flow a 10mm (3/8") free space must be maintained between the top of the vee and the top of the vee level in the outlet chamber.

NOT FOR CONSTRUCTION

FOR DISCUSSION PURPOSES ONLY

Project Name	TAK SMART 4-202 PARTS LIST
Project Number	U-ERK-57-2
Revision	1
Author	U-ERK-57-2
Checker	
Designer	
Engineer	
Contractor	
Manufacturer	
Supplier	
Installer	
Maintainer	
Operator	