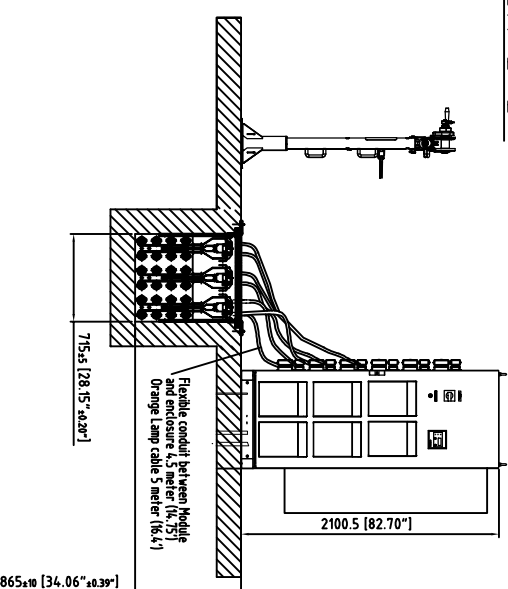


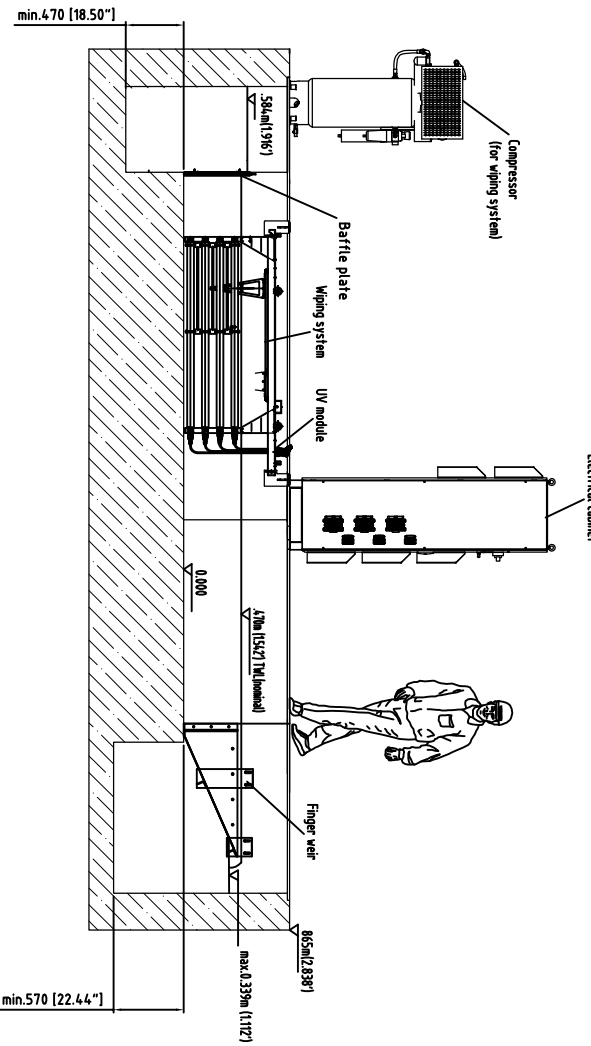
Item	Description	Drawing #	Makes	Material
A	Electrical cabinet (Standard)		TYPE 2 /P54	Painted steel sheet
1	Electrical cabinet (Optional)		TYPE 4X /P66 Fan cooled	stainless steel
2	Finger Veer		TYPE 4X /P66 with AC	stainless steel
3	UV Module (Standard)		TAK 4-3	ASTM A1639
5	Fan (Optional)		3 per UV system	ASTM A1571
6	Protective channel cover		By others	Power coated steel
7	Barrie plate (Optional)		TAK 4-3	Light light recommended ASTM A1571
8	Concrete floor		By others	
9	Air Compressor (Optional)		For wiping system (Optional)	

TAK SMART 4-302 PARTS LIST

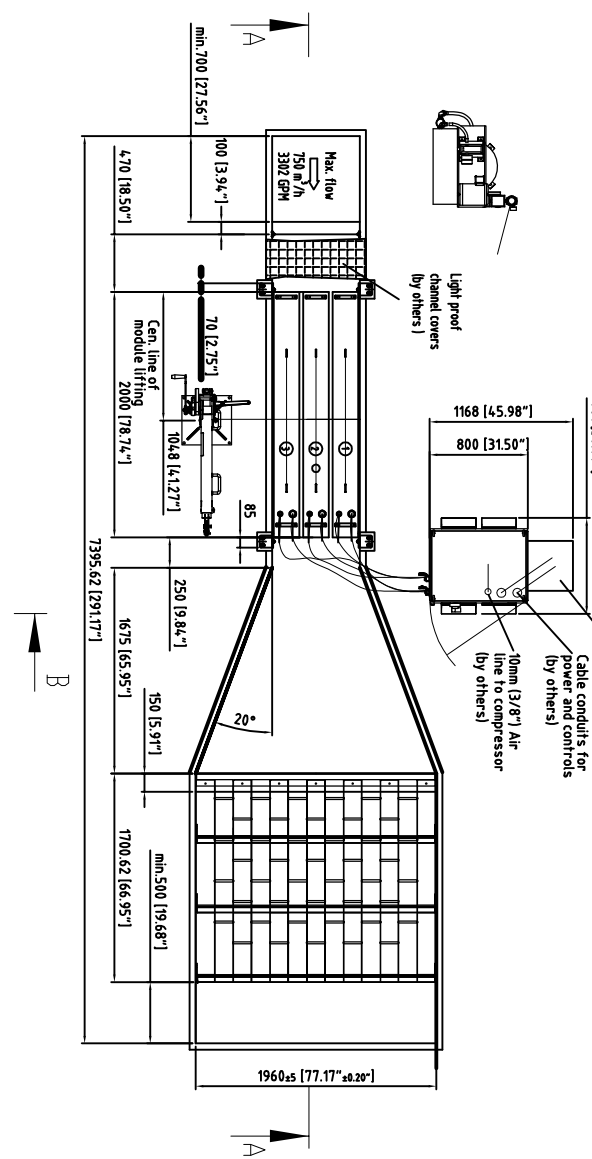
Section B-B



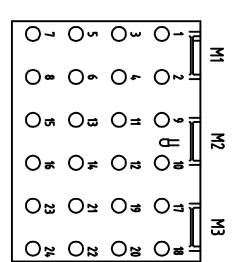
Section A-A



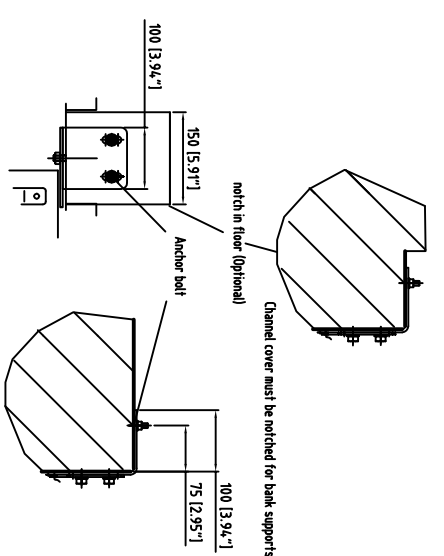
PLAN VIEW



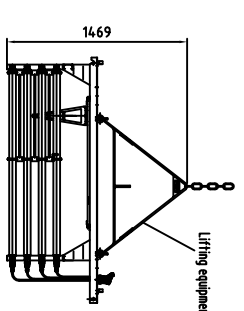
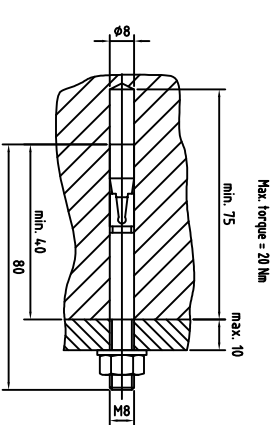
LAMP LOCATION



Bank Support Detail



Example anchor bolt fixing:



TAK SMART GENERAL NOTES:

- The dimensions given on this drawing are required to ensure correct installation operation and performance of the WEDECO UV equipment. All modifications from this drawing must be approved by WEDECO.
- The most critical dimensions are channel width, module placement, and veer height. Installing contractor must ensure channel is level (+5mm [3/16"]) across entire length and width.
- All site related design, labor and materials to be provided by others per contract documents. To meet general anchor bolt requirement, concrete installation and quality shall meet or exceed ACI 318 / DM1905-85S.
- All civil tolerances are ± 1/8" (3mm) unless otherwise shown.
- Type 12/P54, (fan cooled) Electrical enclosure to be located in a climate controlled building (supplied by others). Ambient Temp. 5 to 40°C (41 to 104°F)
- Type 4X /P66 enclosure fan cooled. Ambient Temp. -20 to 40°C (-4 to 104°F)
- Type 4X /P66 enclosure with AC Ambient Temp. -20 to 50°C (-4 to 122°F)
- Before installation of the UV channel, must be level and clean. Debris and objects like sand may cause damage to lamps.
- All flow isolation is supplied by others if required.
- All field wiring and conduits required to connect power and controls to the electrical enclosure and the air compressor shall be sized, supplied, and installed by others. All governing local/state and national electrical codes/regulations apply (for example but not limited to state, local, CE, NEC, CUL, I).
- Lifting device for individual module (Optional). One per bank required.
- All equipment shall be located in accordance with all state, local, and national electrical codes and per dimensions shown on General Arrangement drawing.
- Instrument quality compressed air required for the wiping system (optional) 1.0PSI (21 CFM) @ 4.5-55BAR (65-80 PSIG)
- Indoor and outdoor compressors (optional).
- Protect your eyes and skin against UV light. Extended exposure causes sun burn and eye irritation.
- Field assembly of channel required. All supporting materials, gaskets, hardware, labor and design are supplied by others.
- Installing contractor must provide Temporary bracing inside the channel inserts to prevent deformation as concrete cures.
- The inlet and outlet areas and all piping designed and sized by others. At maximum design flow a 100mm (4") free space must be maintained between the top of the veer and the top effluent level in the outlet chamber.

NOT FOR CONSTRUCTION!

FOR DISCUSSION PURPOSES ONLY!

<p>GENERAL ARRANGEMENT DRAWING</p>	
<p>DATE: 11/11/2011</p>	<p>U-514-00</p>