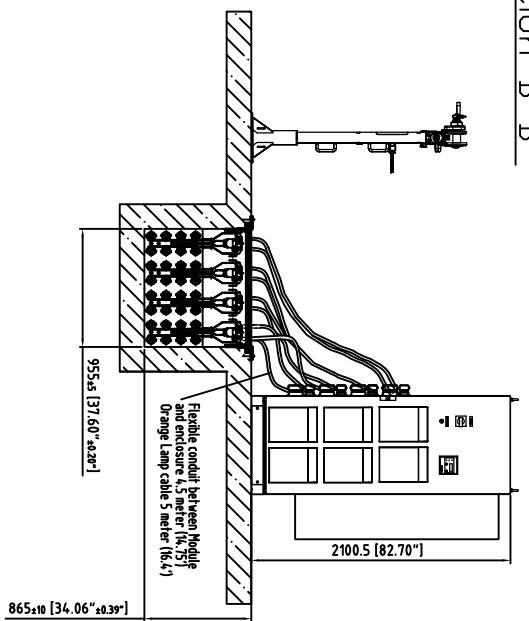


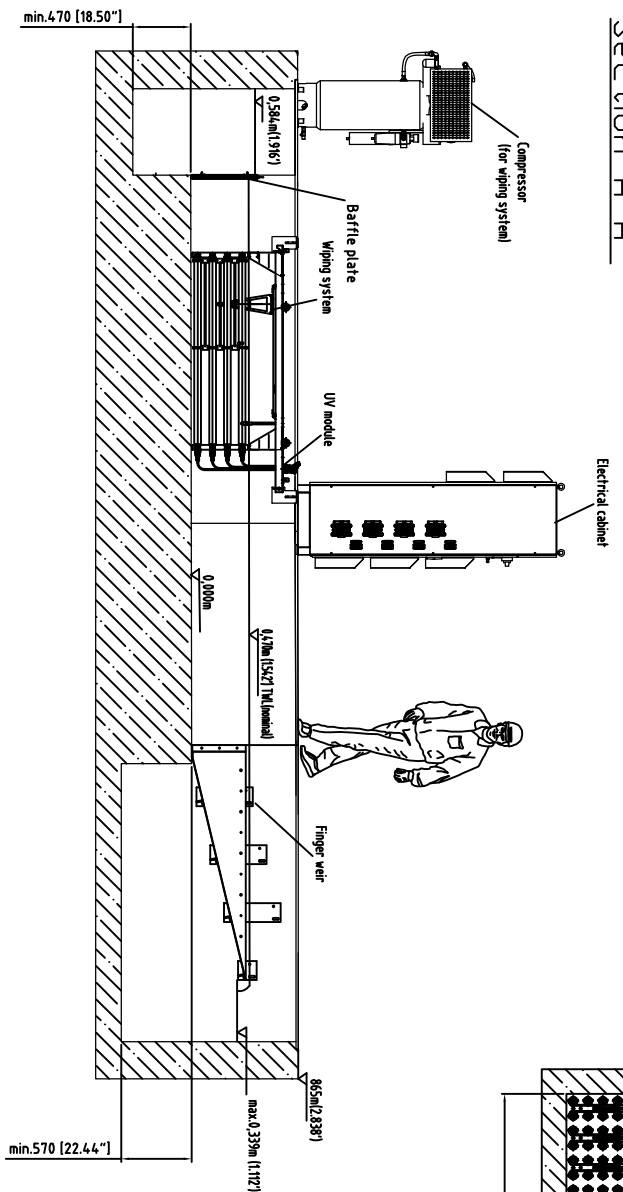
Item	Description	Rating #	Notes	Material
	Electrical cabinet (Standard)		TYPE 2 /P54	Painted steel steel
1	Electrical cabinet (Optional)		TYPE 4X /P66 Fan cooled	stainless steel
2	Electrical cabinet (Optional)		TYPE 4X /P66 with AC	stainless steel
3	Finger Weir		TAK 4-4	ASTM/A 157H
4	UV Module (Standard)		4 per UV system	ASTM/A 157H
5	Cable (Optional)		optional locktites	Power coated Steel
6	Protective channel cover		By Others	Light light recommended
7	Baffle plate (Optional)		TAK 4-4	ASTM/A 157H
8	Concrete floor		By Others	ASTM/A 157H
9	AC Compressor (Optional)		For Wiping system (Optional)	

TAK SMART 1-202 PARTS LIST

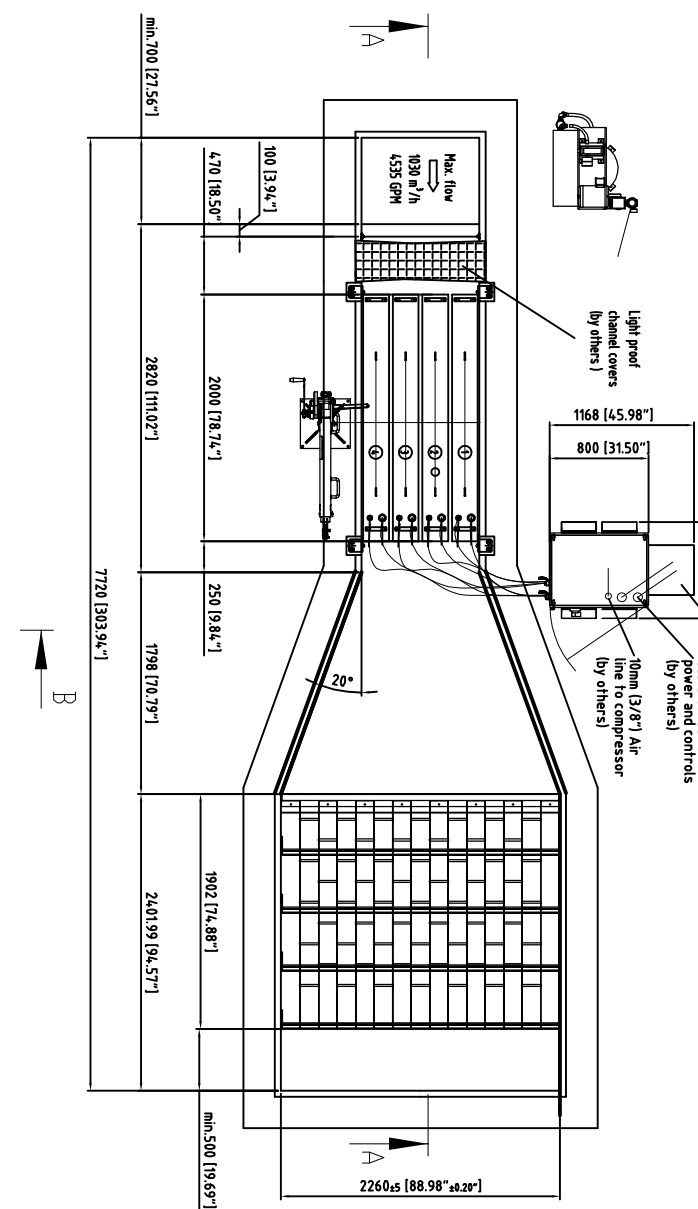
Section B-B



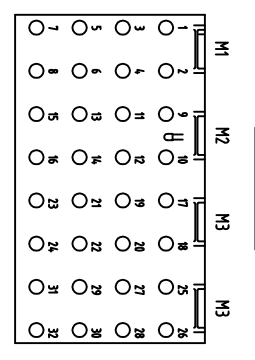
Section A-A



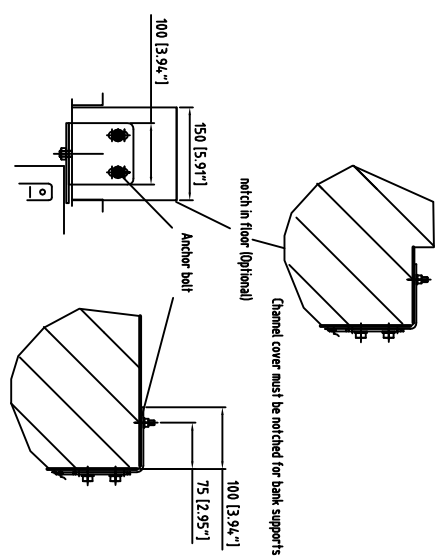
PLAN VIEW



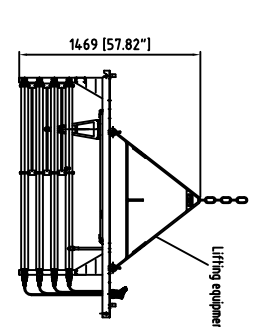
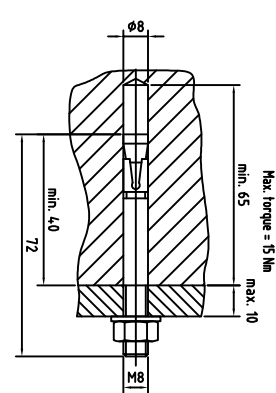
LAMP LOCATION



Bank Support Detail



Example anchor bolt fixing:



TAK SMART GENERAL NOTES:

- The dimensions given on this drawing are required to ensure correct installation operation and performance of the MEDCO UV equipment. All Modifications from this drawing must be approved by MEDCO.
- The most critical dimensions are channel width, module placement, and weir height. Installing contractor must ensure channel is level (± 5mm [3/16\"/>

NOT FOR CONSTRUCTION

FOR DISCUSSION PURPOSES ONLY

NO.	REVISION	DATE	BY	CHKD.	APP.
1	ISSUED FOR CONSTRUCTION	11/16/21	...	...	...
2	...	...	...	...	...